

## ★ NX12-Z-XL

Needle roller/axial ball bearing

Schaeffler ID:  
0507791680000

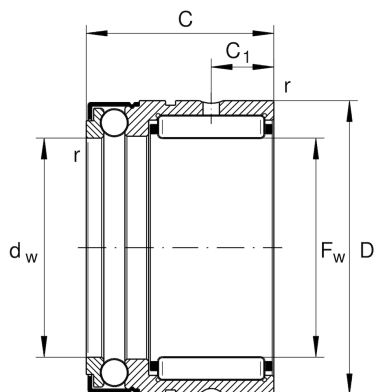
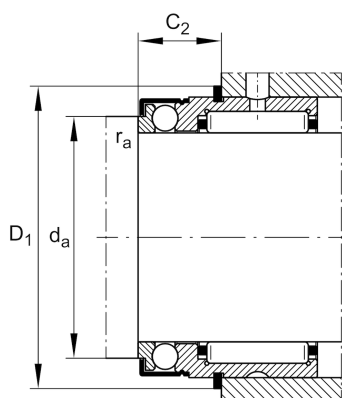
Needle roller/axial ball bearings NX..-Z, single direction axial component, for grease lubrication

★ Preferred product

X-life

### Technical information

2)



#### Temperature range

$T_{\min}$	-30 °C	Operating temperature min.
$T_{\max}$	120 °C	Operating temperature max.
	23,69 g	Weight

#### Main Dimensions & Performance Data

$F_w$	12 mm	Bore diameter
$D$	21 mm	Outside diameter
$C$	18 mm	Height
$C_r$	5.400 N	Basic dynamic load rating, radial
$C_{0r}$	4.300 N	Basic static load rating, radial
$C_a$	4.850 N	Basic dynamic load rating, axial
$C_{0a}$	8.200 N	Basic static load rating, axial
$C_{ur}$	840 N	Fatigue load limit, radial
$C_{ua}$	375 N	Fatigue load limit, axial
$n_G$	9.500 1/min	Limiting speed

#### Dimensions

$C_1$	4,7 mm	Distance to lubrication hole
$C_2$	4,7 mm	Distance to lubrication hole
$d_w$	12 mm	Bore diameter of shaft washer
$r_{\min}$	0,3 mm	Minimum chamfer dimension

#### Mounting dimensions

$d_a$	16,6 mm	Mounting dimension shaft shoulder
$r_{a\max}$	0,3 mm	Maximum recess radius
$D_1$	23,7 mm	Connection diameter snap ring
$C_2$	10 mm	Connection width with snap ring

**Additional information**

IR8X12X10-IS1-XL	Suitable inner rings IR
WR21, SW21	Snap ring