

## ★ NX20-Z-XL

Needle roller/axial ball bearing

Schaeffler ID:  
0507792060000

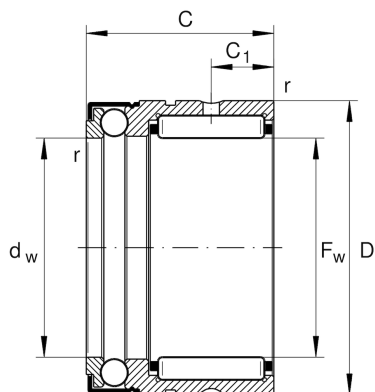
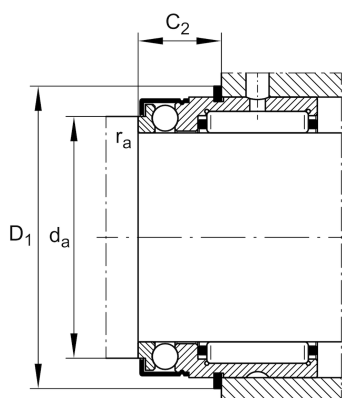
Needle roller/axial ball bearings NX..-Z, single direction axial component, for grease lubrication

★ Preferred product

X-life

### Technical information

2)



#### Temperature range

$T_{min}$	-30 °C	Operating temperature min.
$T_{max}$	120 °C	Operating temperature max.
	67,17 g	Weight

#### Main Dimensions & Performance Data

$F_w$	20 mm	Bore diameter
$D$	30 mm	Outside diameter
$C$	28 mm	Height
$C_r$	14.600 N	Basic dynamic load rating, radial
$C_{0r}$	17.500 N	Basic static load rating, radial
$C_a$	7.000 N	Basic dynamic load rating, axial
$C_{0a}$	14.700 N	Basic static load rating, axial
$C_{ur}$	3.300 N	Fatigue load limit, radial
$C_{ua}$	670 N	Fatigue load limit, axial
$n_G$	6.500 1/min	Limiting speed

#### Dimensions

$C_1$	8 mm	Distance to lubrication hole
$C_2$	8 mm	Distance to lubrication hole
$d_w$	20 mm	Bore diameter of shaft washer
$r_{min}$	0,3 mm	Minimum chamfer dimension

#### Mounting dimensions

$d_a$	25 mm	Mounting dimension shaft shoulder
$r_{a max}$	0,3 mm	Maximum recess radius
$D_1$	33,6 mm	Connection diameter snap ring
$C_2$	12,2 mm	Connection width with snap ring

**Additional information**

IR17X20X16-XL	Suitable inner rings IR
WR30, SW30	Snap ring