

## NX7-Z-TV-XL

Needle roller/axial ball bearing

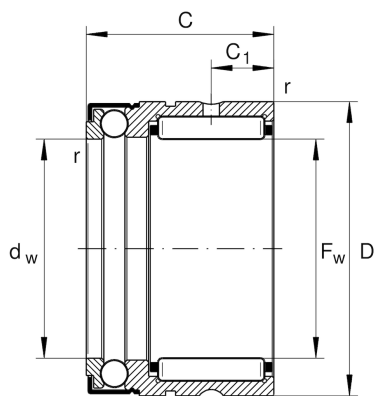
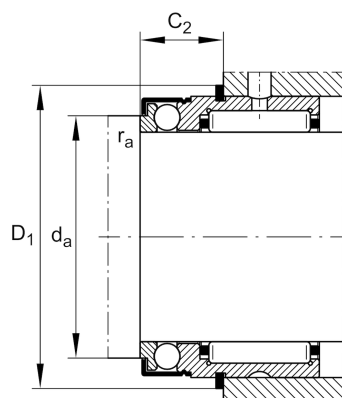
Schaeffler ID:  
0507789350000

Needle roller/axial ball bearings NX..-Z, single direction axial component, for grease lubrication

X-life

### Technical information

2)



### Main Dimensions & Performance Data

$F_w$	7 mm	Bore diameter
$D$	14 mm	Outside diameter
$C$	18 mm	Height
$C_r$	3.250 N	Basic dynamic load rating, radial
$C_{0r}$	2.650 N	Basic static load rating, radial
$C_a$	3.150 N	Basic dynamic load rating, axial
$C_{0a}$	4.300 N	Basic static load rating, axial
$C_{ur}$	420 N	Fatigue load limit, radial
$C_{ua}$	195 N	Fatigue load limit, axial
$n_G$	15.000 1/min	Limiting speed
	11,86 g	Weight

### Dimensions

	WR14, SW14	Snap ring
$C_1$	4,7 mm	Distance to lubrication hole
$C_2$	4,7 mm	Distance to lubrication hole
$d_w$	7 mm	Bore diameter of shaft washer
$r_{min}$	0,3 mm	Minimum chamfer dimension

### Mounting dimensions

$d_a$	9,6 mm	Mounting dimension shaft shoulder
$r_{a max}$	0,3 mm	Maximum recess radius
$D_1$	16,5 mm	Connection diameter snap ring
$C_2$	10 mm	Connection width with snap ring

### Temperature range

$T_{min}$	-30 °C	Operating temperature min.
$T_{max}$	120 °C	Operating temperature max.