

NKXR45-XL

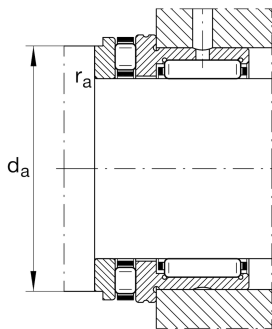
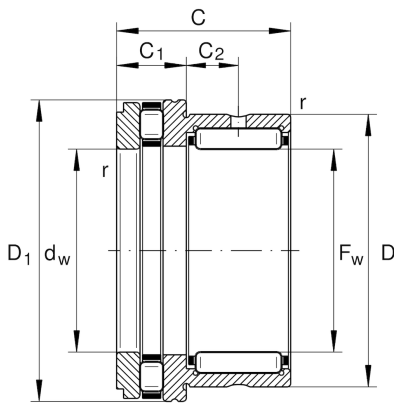
Needle roller/axial cylindrical roller bearing

Schaeffler ID:
0507808320000

Needle roller/axial cylindrical roller bearings NKXR, axial component, single direction, to DIN 5429, without end cap, for oil lubrication

X-life

Technical information



Main Dimensions & Performance Data

F_w	45 mm	Bore diameter
D	58 mm	Outside diameter
C	32 mm	Height
C_r	31.000 N	Basic dynamic load rating, radial
C_{0r}	53.000 N	Basic static load rating, radial
C_a	59.000 N	Basic dynamic load rating, axial
C_{0a}	163.000 N	Basic static load rating, axial
C_{ur}	9.400 N	Fatigue load limit, radial
C_{ua}	16.300 N	Fatigue load limit, axial
n_G	5.000 1/min	Limiting speed
n_{gr}	1.900 1/min	Reference speed
	0,002 kg	Weight

Dimensions

$D_{1\max}$	65,2 mm	Maximum outside diameter flange
	IR40X45X20-XL	Suitable inner rings IR
$D_{2\max}$	65,2 mm	Maximum outside diameter flange
C_1	14 mm	Width of the axial bearing component
C_2	9 mm	Distance to lubrication hole
d_w	45 mm	Bore diameter of shaft washer
r_{\min}	0,6 mm	Minimum chamfer dimension

Mounting dimensions

d_a	60,6 mm	Mounting dimension shaft shoulder
$r_{a\max}$	0,6 mm	Maximum recess radius

Temperature range

T_{\min}	-30 °C	Operating temperature min.
T_{\max}	120 °C	Operating temperature max.