

★ 81103-TV

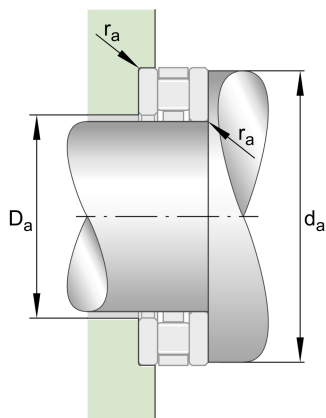
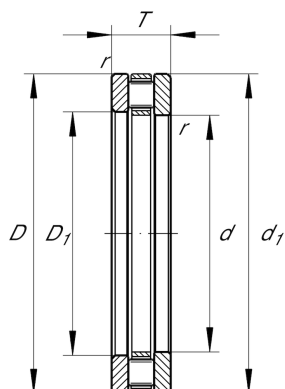
Axial cylindrical roller bearing

Schaeffler ID:
0002402570000

Axial cylindrical roller bearings 811, single direction, comprising K811, GS, WS

★ Preferred product

Technical information



Temperature range

T_{\min}	120 °C	Operating temperature min.
T_{\max}	-30 °C	Operating temperature max.
	23,6 g	Weight

Main Dimensions & Performance Data

d	17 mm	Bore diameter
D	30 mm	Outside diameter
T	9 mm	Height
C_a	15.800 N	Basic dynamic load rating, axial
C_{0a}	33.500 N	Basic static load rating, axial
C_{ua}	4.700 N	Fatigue load limit, axial
n_G	12.300 1/min	Limiting speed
n_{gr}	5.400 1/min	Reference speed

Dimensions

D_1	18 mm	Bore diameter housing washer
d_1	30 mm	Rip diameter shaft washer
r_{\min}	0,3 mm	Minimum chamfer dimension

Mounting dimensions

$d_{a \min}$	29 mm	Minimum diameter shaft shoulder
$D_{a \max}$	18 mm	Maximum diameter of housing shoulder
$r_{a \max}$	0,3 mm	Maximum recess radius

Additional information

K81103-TV	Axial roller and cage assembly
GS81103	Housing Washer
WS81103	Shaft washer
LS1730	Track Washer