

## ★ 81105-TV

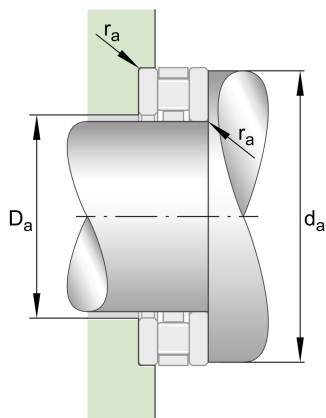
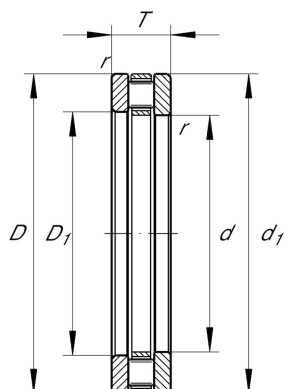
Axial cylindrical roller bearing

Schaeffler ID:  
0002402730000

Axial cylindrical roller bearings 811, single direction, comprising K811, GS, WS

★ Preferred product

### Technical information



#### Temperature range

$T_{\min}$	120 °C	Operating temperature min.
$T_{\max}$	-30 °C	Operating temperature max.
	51,6 g	Weight

#### Main Dimensions & Performance Data

d	25 mm	Bore diameter
D	42 mm	Outside diameter
T	11 mm	Height
$C_a$	33.000 N	Basic dynamic load rating, axial
$C_{0a}$	76.000 N	Basic static load rating, axial
$C_{ua}$	7.200 N	Fatigue load limit, axial
$n_G$	8.600 1/min	Limiting speed
$n_{gr}$	3.500 1/min	Reference speed

#### Dimensions

$D_1$	26 mm	Bore diameter housing washer
$d_1$	42 mm	Rip diameter shaft washer
$r_{\min}$	0,6 mm	Minimum chamfer dimension

#### Mounting dimensions

$d_{a \min}$	41 mm	Minimum diameter shaft shoulder
$D_{a \max}$	26 mm	Maximum diameter of housing shoulder
$r_{a \max}$	0,6 mm	Maximum recess radius

#### Additional information

K81105-TV	Axial roller and cage assembly
GS81105	Housing Washer
WS81105	Shaft washer
LS2542	Track Washer