

## ★ 81107-TV

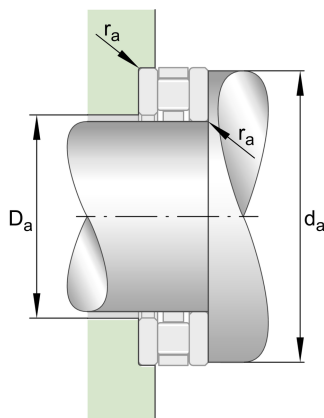
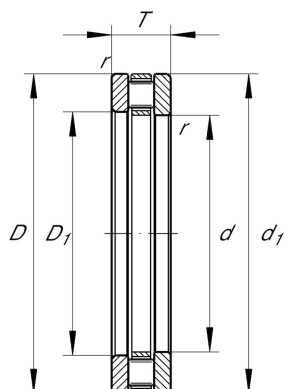
Axial cylindrical roller bearing

Schaeffler ID:  
0002403030000

Axial cylindrical roller bearings 811, single direction, comprising K811, GS, WS

★ Preferred product

### Technical information



#### Temperature range

$T_{min}$	120 °C	Operating temperature min.
$T_{max}$	-30 °C	Operating temperature max.
	74 g	Weight

#### Main Dimensions & Performance Data

d	35 mm	Bore diameter
D	52 mm	Outside diameter
T	12 mm	Height
$C_a$	39.000 N	Basic dynamic load rating, axial
$C_{0a}$	101.000 N	Basic static load rating, axial
$C_{ua}$	9.600 N	Fatigue load limit, axial
$n_G$	6.600 1/min	Limiting speed
$n_{gr}$	2.600 1/min	Reference speed

#### Dimensions

$D_1$	37 mm	Bore diameter housing washer
$d_1$	52 mm	Rip diameter shaft washer
$r_{min}$	0,6 mm	Minimum chamfer dimension

#### Mounting dimensions

$d_{a min}$	51 mm	Minimum diameter shaft shoulder
$D_{a max}$	36 mm	Maximum diameter of housing shoulder
$r_{a max}$	0,6 mm	Maximum recess radius

#### Additional information

K81107-TV	Axial roller and cage assembly
GS81107	Housing Washer
WS81107	Shaft washer
LS3552	Track Washer