

★ 81112-TV

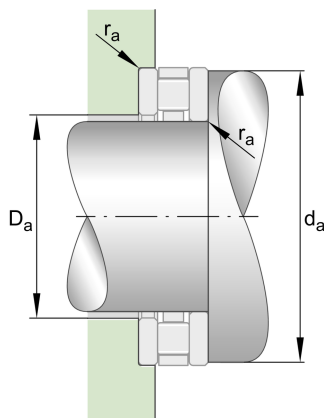
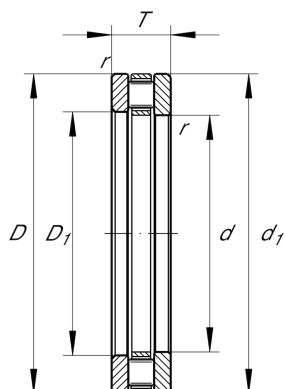
Axial cylindrical roller bearing

Schaeffler ID:
0007104310000

Axial cylindrical roller bearings 811, single direction, comprising K811, GS, WS

★ Preferred product

Technical information



Temperature range

T_{\min}	120 °C	Operating temperature min.
T_{\max}	-30 °C	Operating temperature max.
	0,003 kg	Weight

Main Dimensions & Performance Data

d	60 mm	Bore diameter
D	85 mm	Outside diameter
T	17 mm	Height
C_a	103.000 N	Basic dynamic load rating, axial
C_{0a}	315.000 N	Basic static load rating, axial
C_{ua}	32.500 N	Fatigue load limit, axial
n_G	3.950 1/min	Limiting speed
n_{gr}	1.360 1/min	Reference speed

Dimensions

D_1	62 mm	Bore diameter housing washer
d_1	85 mm	Rip diameter shaft washer
r_{\min}	1 mm	Minimum chamfer dimension

Mounting dimensions

$d_{a \min}$	82 mm	Minimum diameter shaft shoulder
$D_{a \max}$	62 mm	Maximum diameter of housing shoulder
$r_{a \max}$	1 mm	Maximum recess radius

Additional information

K81112-TV	Axial roller and cage assembly
GS81112	Housing Washer
WS81112	Shaft washer
LS6085	Track Washer