

★ 81113-TV

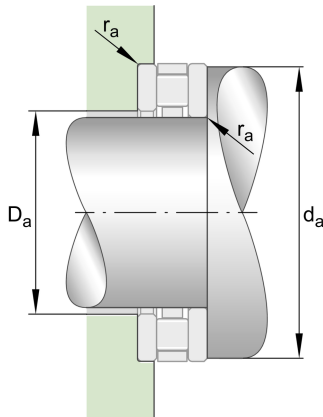
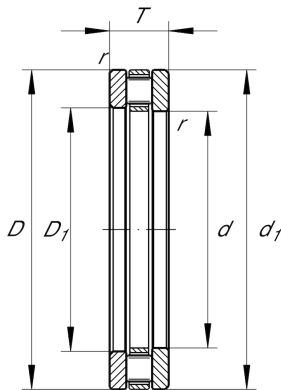
Axial cylindrical roller bearing

Schaeffler ID:
0006505010000

Axial cylindrical roller bearings 811, single direction, comprising K811, GS, WS

★ Preferred product

Technical information



Temperature range

| | | |
|------------|----------|----------------------------|
| T_{\min} | 120 °C | Operating temperature min. |
| T_{\max} | -30 °C | Operating temperature max. |
| | 0,003 kg | Weight |

Main Dimensions & Performance Data

| | | |
|----------|-------------|----------------------------------|
| d | 65 mm | Bore diameter |
| D | 90 mm | Outside diameter |
| T | 18 mm | Height |
| C_a | 107.000 N | Basic dynamic load rating, axial |
| C_{0a} | 340.000 N | Basic static load rating, axial |
| C_{ua} | 34.500 N | Fatigue load limit, axial |
| n_G | 3.700 1/min | Limiting speed |
| n_{gr} | 1.260 1/min | Reference speed |

Dimensions

| | | |
|------------|-------|------------------------------|
| D_1 | 67 mm | Bore diameter housing washer |
| d_1 | 90 mm | Rip diameter shaft washer |
| r_{\min} | 1 mm | Minimum chamfer dimension |

Mounting dimensions

| | | |
|-------------|-------|--------------------------------------|
| $d_{a\min}$ | 87 mm | Minimum diameter shaft shoulder |
| $D_{a\max}$ | 67 mm | Maximum diameter of housing shoulder |
| $r_{a\max}$ | 1 mm | Maximum recess radius |

Additional information

| | |
|-----------|--------------------------------|
| K81113-TV | Axial roller and cage assembly |
| GS81113 | Housing Washer |
| WS81113 | Shaft washer |
| LS6590 | Track Washer |