

## ★ 81126-TV

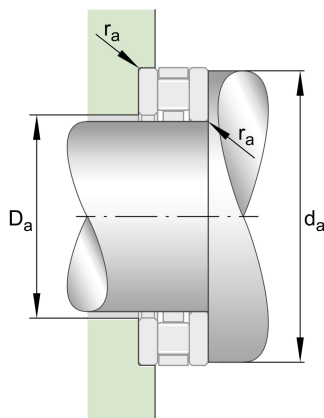
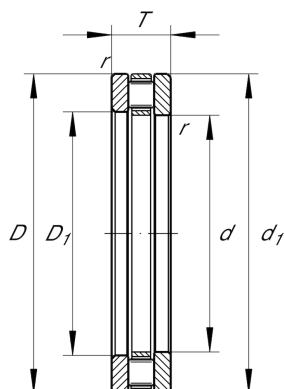
Axial cylindrical roller bearing

Schaeffler ID:  
0000564720000

Axial cylindrical roller bearings 811, single direction, comprising K811, GS, WS

★ Preferred product

### Technical information



#### Temperature range

$T_{\min}$	120 °C	Operating temperature min.
$T_{\max}$	-30 °C	Operating temperature max.
	1,619 kg	Weight

#### Main Dimensions & Performance Data

d	130 mm	Bore diameter
D	170 mm	Outside diameter
T	30 mm	Height
$C_a$	250.000 N	Basic dynamic load rating, axial
$C_{0a}$	900.000 N	Basic static load rating, axial
$C_{ua}$	80.000 N	Fatigue load limit, axial
$n_G$	1.920 1/min	Limiting speed
$n_{gr}$	760 1/min	Reference speed

#### Dimensions

$D_1$	132 mm	Bore diameter housing washer
$d_1$	170 mm	Rip diameter shaft washer
$r_{\min}$	1 mm	Minimum chamfer dimension

#### Mounting dimensions

$d_{a \min}$	165 mm	Minimum diameter shaft shoulder
$D_{a \max}$	135 mm	Maximum diameter of housing shoulder
$r_{a \max}$	1 mm	Maximum recess radius

#### Additional information

K81126-TV	Axial roller and cage assembly
GS81126	Housing Washer
WS81126	Shaft washer
LS130170	Track Washer