

★ 81208-TV

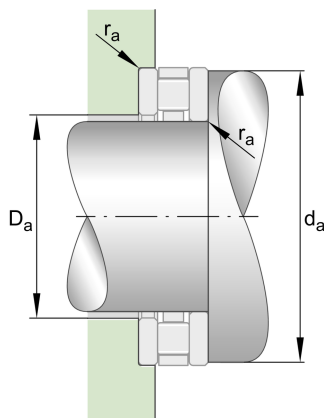
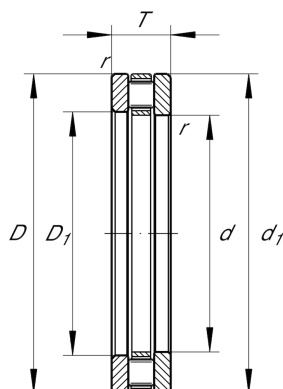
Axial cylindrical roller bearing

Schaeffler ID:
0007167070000

Axial cylindrical roller bearings 812, single direction, comprising K812, GS, WS

★ Preferred product

Technical information



Temperature range

T_{min}	-30 °C	Operating temperature min.
T_{max}	120 °C	Operating temperature max.
	0,003 kg	Weight

Main Dimensions & Performance Data

d	40 mm	Bore diameter
D	68 mm	Outside diameter
T	19 mm	Height
C_a	107.000 N	Basic dynamic load rating, axial
C_{0a}	265.000 N	Basic static load rating, axial
C_{ua}	23.700 N	Fatigue load limit, axial
n_G	5.200 1/min	Limiting speed
n_{gr}	1.820 1/min	Reference speed

Dimensions

D_1	42 mm	Bore diameter housing washer
d_1	68 mm	Rip diameter shaft washer
r_{min}	1 mm	Minimum chamfer dimension

Mounting dimensions

$d_{a min}$	66 mm	Minimum diameter shaft shoulder
$D_{a max}$	43 mm	Maximum diameter of housing shoulder
$r_{a max}$	1 mm	Maximum recess radius

Additional information

K81208-TV	Axial roller and cage assembly
GS81208	Housing Washer
WS81208	Shaft washer
LS7095	Track Washer