

★ 81213-TV

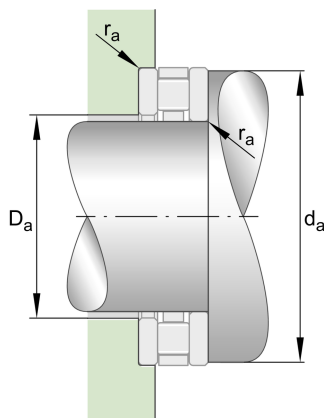
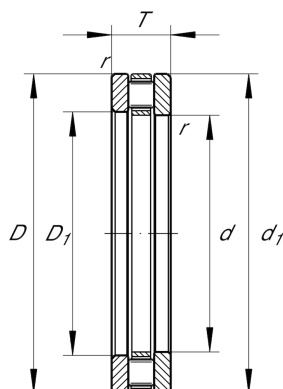
Axial cylindrical roller bearing

Schaeffler ID:
0006954400000

Axial cylindrical roller bearings 812, single direction, comprising K812, GS, WS

★ Preferred product

Technical information



Temperature range

T_{\min}	-30 °C	Operating temperature min.
T_{\max}	120 °C	Operating temperature max.
	0,718 kg	Weight

Main Dimensions & Performance Data

d	65 mm	Bore diameter
D	100 mm	Outside diameter
T	27 mm	Height
C_a	177.000 N	Basic dynamic load rating, axial
C_{0a}	500.000 N	Basic static load rating, axial
C_{ua}	49.000 N	Fatigue load limit, axial
n_G	3.550 1/min	Limiting speed
n_{gr}	1.250 1/min	Reference speed

Dimensions

D_1	67 mm	Bore diameter housing washer
d_1	100 mm	Rip diameter shaft washer
r_{\min}	1 mm	Minimum chamfer dimension

Mounting dimensions

$d_{a \min}$	96 mm	Minimum diameter shaft shoulder
$D_{a \max}$	69 mm	Maximum diameter of housing shoulder
$r_{a \max}$	1 mm	Maximum recess radius

Additional information

K81213-TV	Axial roller and cage assembly
GS81213	Housing Washer
WS81213	Shaft washer
LS6590	Track Washer