



## ★ 81215-TV

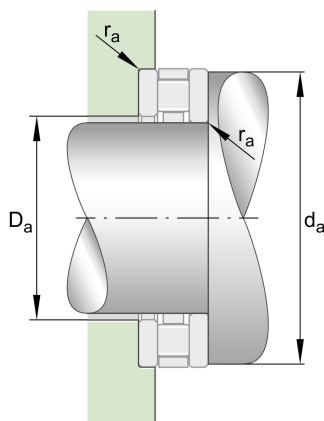
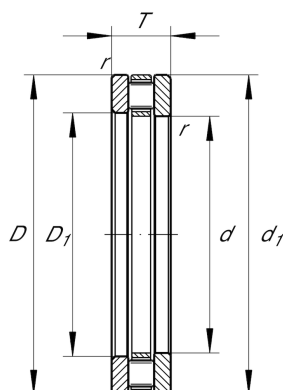
Axial cylindrical roller bearing

Schaeffler ID:  
0003616820000

Axial cylindrical roller bearings 812, single direction, comprising K812, GS, WS

★ Preferred product

### Technical information



### Temperature range

$T_{\min}$	-30 °C	Operating temperature min.
$T_{\max}$	120 °C	Operating temperature max.
	0,786 kg	Weight

### Main Dimensions & Performance Data

d	75 mm	Bore diameter
D	110 mm	Outside diameter
T	27 mm	Height
$C_a$	172.000 N	Basic dynamic load rating, axial
$C_{0a}$	500.000 N	Basic static load rating, axial
$C_{ua}$	49.000 N	Fatigue load limit, axial
$n_G$	3.100 1/min	Limiting speed
$n_{gr}$	1.210 1/min	Reference speed

### Dimensions

$D_1$	77 mm	Bore diameter housing washer
$d_1$	110 mm	Rip diameter shaft washer
$r_{\min}$	1 mm	Minimum chamfer dimension

### Mounting dimensions

$d_{a \min}$	106 mm	Minimum diameter shaft shoulder
$D_{a \max}$	79 mm	Maximum diameter of housing shoulder
$r_{a \max}$	1 mm	Maximum recess radius

### Additional information

K81215-TV	Axial roller and cage assembly
GS81215	Housing Washer
WS81215	Shaft washer