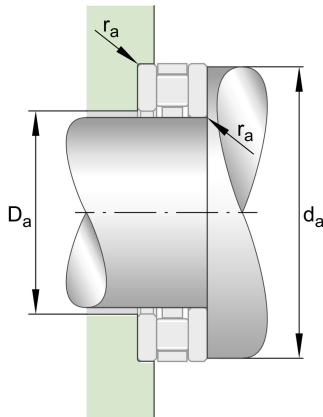
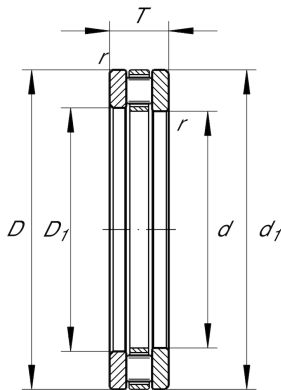
**81216-TV**

Axial cylindrical roller bearing

Schaeffler ID:
0007345860000Axial cylindrical roller bearings 812, single
direction, comprising K812, GS, WS

Technical information

**Main Dimensions & Performance Data**

d	80 mm	Bore diameter
D	115 mm	Outside diameter
T	28 mm	Height
C_a	201.000 N	Basic dynamic load rating, axial
C_{0a}	630.000 N	Basic static load rating, axial
C_{ua}	61.000 N	Fatigue load limit, axial
n_G	2.900 1/min	Limiting speed
n_{gr}	980 1/min	Reference speed
	0,896 kg	Weight

Additional information

	K81216-TV	Axial roller and cage assembly
D_1	82 mm	Bore diameter housing washer
	GS81216	Housing Washer
d_1	115 mm	Rip diameter shaft washer
	WS81216	Shaft washer
	LS7095	Track Washer
r_{min}	1 mm	Minimum chamfer dimension

Mounting dimensions

$d_{a min}$	112 mm	Minimum diameter shaft shoulder
$D_{a max}$	84 mm	Maximum diameter of housing shoulder
$r_{a max}$	1 mm	Maximum recess radius

Temperature range

T_{min}	-30 °C	Operating temperature min.
T_{max}	120 °C	Operating temperature max.