

★ 81218-TV

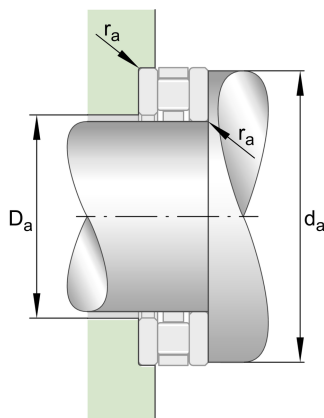
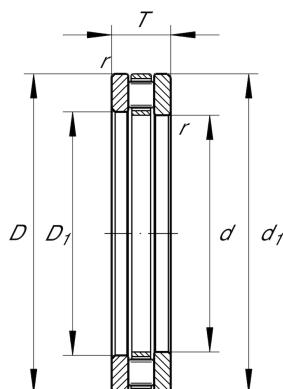
Axial cylindrical roller bearing

Schaeffler ID:
0006505280000

Axial cylindrical roller bearings 812, single direction, comprising K812, GS, WS

★ Preferred product

Technical information



Temperature range

T_{min}	-30 °C	Operating temperature min.
T_{max}	120 °C	Operating temperature max.
	1,649 kg	Weight

Main Dimensions & Performance Data

d	90 mm	Bore diameter
D	135 mm	Outside diameter
T	35 mm	Height
C_a	290.000 N	Basic dynamic load rating, axial
C_{0a}	890.000 N	Basic static load rating, axial
C_{ua}	96.000 N	Fatigue load limit, axial
n_G	2.550 1/min	Limiting speed
n_{gr}	910 1/min	Reference speed

Dimensions

D_1	93 mm	Bore diameter housing washer
d_1	135 mm	Rip diameter shaft washer
r_{min}	1,1 mm	Minimum chamfer dimension

Mounting dimensions

$d_{a min}$	129 mm	Minimum diameter shaft shoulder
$D_{a max}$	95 mm	Maximum diameter of housing shoulder
$r_{a max}$	1,1 mm	Maximum recess radius

Additional information

K81218-TV	Axial roller and cage assembly
GS81218	Housing Washer
WS81218	Shaft washer
LS6590	Track Washer