

## ★ 89306-TV

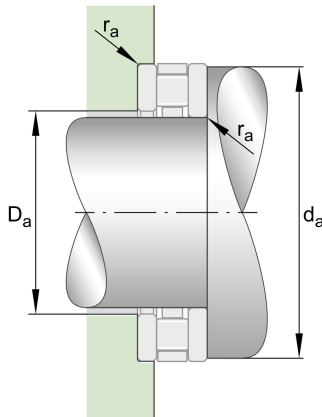
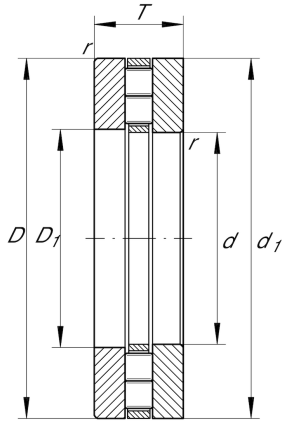
Axial cylindrical roller bearing

Schaeffler ID:  
0003617800000

Axial cylindrical roller bearings 893, single direction, comprising K893, GS, WS

★ Preferred product

### Technical information



### Main Dimensions & Performance Data

d	30 mm	Bore diameter
D	60 mm	Outside diameter
T	18 mm	Height
$C_a$	69.000 N	Basic dynamic load rating, axial
$C_{0a}$	197.000 N	Basic static load rating, axial
$C_{ua}$	19.200 N	Fatigue load limit, axial
$n_G$	6.400 1/min	Limiting speed
$n_{gr}$	2.600 1/min	Reference speed
	0,002 kg	Weight

### Dimensions

$D_1$	32 mm	Bore diameter housing washer
$d_1$	60 mm	Rip diameter shaft washer
B	18 mm	Width
$r_{min}$	1 mm	Minimum chamfer dimension
$D_{c1}$	60 mm	Cage bore diameter

### Mounting dimensions

$d_a$	59 mm	Minimum diameter shaft shoulder
$D_a$	33 mm	Maximum diameter of housing shoulder
$r_a$	1 mm	Recess radius

### Additional information

K89306-TV	Axial roller and cage assembly
GS89306	Housing Washer
WS89306	Shaft washer