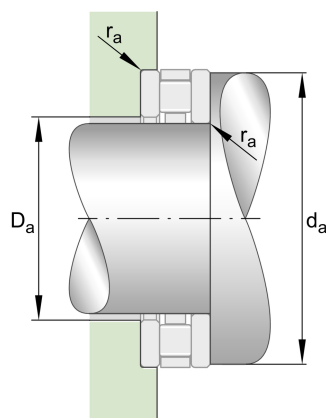
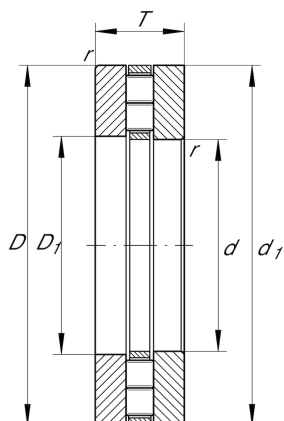
**89308-TV**

## Axial cylindrical roller bearing

Schaeffler ID:  
0007784350000Axial cylindrical roller bearings 893, single  
direction, comprising K893, GS, WS

## Technical information

**Main Dimensions & Performance Data**

d	40 mm	Bore diameter
D	78 mm	Outside diameter
T	22 mm	Height
$C_a$	123.000 N	Basic dynamic load rating, axial
$C_{0a}$	385.000 N	Basic static load rating, axial
$C_{ua}$	39.500 N	Fatigue load limit, axial
$n_G$	4.900 1/min	Limiting speed
$n_{gr}$	1.780 1/min	Reference speed
	0,005 kg	Weight

**Dimensions**

	K89308-TV	Axial roller and cage assembly
$D_1$	42 mm	Bore diameter housing washer
	GS89308	Housing Washer
$d_1$	78 mm	Rip diameter shaft washer
	WS89308	Shaft washer
B	22 mm	Width
$r_{min}$	1 mm	Minimum chamfer dimension
$D_{c1}$	40 mm	Cage bore diameter

**Mounting dimensions**

$d_a$	77 mm	Minimum diameter shaft shoulder
$D_a$	44 mm	Maximum diameter of housing shoulder
$r_a$	1 mm	Recess radius