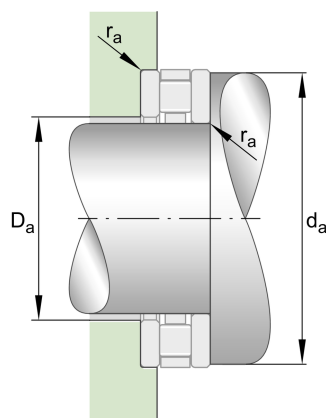
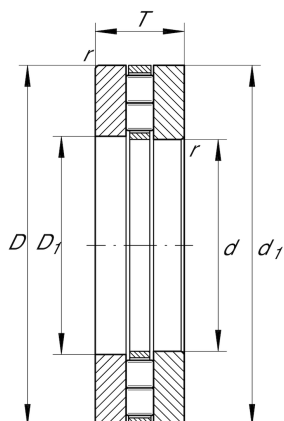
**89314-TV**

Axial cylindrical roller bearing

Schaeffler ID:
0003615000000Axial cylindrical roller bearings 893, single
direction, comprising K893, GS, WS

Technical information

**Main Dimensions & Performance Data**

d	70 mm	Bore diameter
D	125 mm	Outside diameter
T	34 mm	Height
C_a	239.000 N	Basic dynamic load rating, axial
C_{0a}	830.000 N	Basic static load rating, axial
C_{ua}	76.000 N	Fatigue load limit, axial
n_G	2.950 1/min	Limiting speed
n_{gr}	1.200 1/min	Reference speed
	1,796 kg	Weight

Dimensions

	K89314-TV	Axial roller and cage assembly
D_1	72 mm	Bore diameter housing washer
	GS89314	Housing Washer
d_1	125 mm	Rip diameter shaft washer
	WS89314	Shaft washer
B	34 mm	Width
r_{min}	1,1 mm	Minimum chamfer dimension
D_{c1}	70 mm	Cage bore diameter

Mounting dimensions

d_a	123 mm	Minimum diameter shaft shoulder
D_a	76 mm	Maximum diameter of housing shoulder
r_a	1,1 mm	Recess radius