



★ AXW15

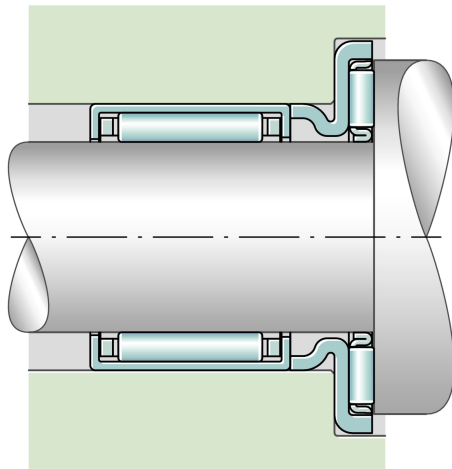
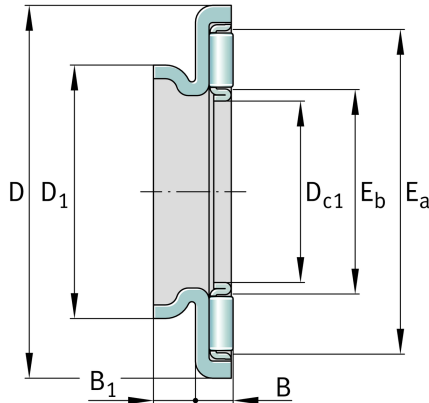
Axial needle roller bearing

Schaeffler ID:
0001616080000

Axial needle roller bearings, single
direction, AXK with axial bearing washer

★ Preferred product

Technical information



Main Dimensions & Performance Data

D_{c1}	15 mm	Bore diameter cage
D	31 mm	Outside diameter bearing washer
B	3,2 mm	Height bearing
B_1	3,5 mm	Height centering collar
D_1	21 mm	Outside diameter centering collar
E_a	27 mm	Raceway dimension
E_b	17 mm	Raceway dimension
C	11.400 N	Basic dynamic load rating, axial
C_{0a}	36.000 N	Basic static load rating, axial
c_{ua}	3.650 N	Fatigue load limit, axial
n_G	13.400 1/min	Limiting speed
n_{gr}	6.400 1/min	Reference speed
	10,5 g	Weight

Additional information

AS1528	Axial bearing washer
HK1514-RS	Drawn cup needle roller bearings turned
HK1516	Drawn cup needle roller bearings
HK1522-ZW	Drawn cup needle roller bearings
HK1512	Drawn cup needle roller bearings for radial bearing arrangement
BK1512	Needle bush
BK1516	Needle bush

