

## ★ AXW20

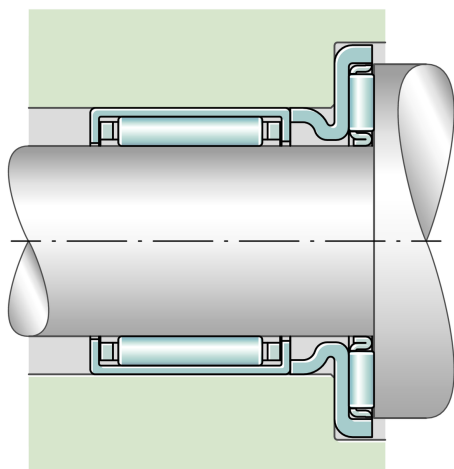
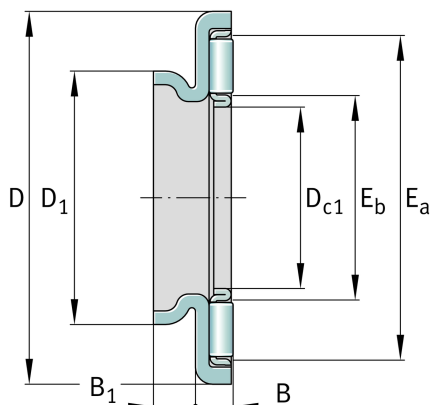
Axial needle roller bearing

Schaeffler ID:  
0001134330000

Axial needle roller bearings, single  
direction, AXK with axial bearing washer

★ Preferred product

### Technical information



### Main Dimensions & Performance Data

$D_{c1}$	20 mm	Bore diameter cage
$D$	38 mm	Outside diameter bearing washer
$B$	3,2 mm	Height bearing
$B_1$	3,5 mm	Height centering collar
$D_1$	26 mm	Outside diameter centering collar
$E_a$	34 mm	Raceway dimension
$E_b$	22 mm	Raceway dimension
$C$	13.100 N	Basic dynamic load rating, axial
$C_{0a}$	46.500 N	Basic static load rating, axial
$c_{ua}$	4.800 N	Fatigue load limit, axial
$n_G$	10.500 1/min	Limiting speed
$n_{gr}$	5.300 1/min	Reference speed
	15,15 g	Weight

### Additional information

AS2035	Axial bearing washer
HK2018-RS	Drawn cup needle roller bearings turned
HK2016	Drawn cup needle roller bearings
HK2020	Drawn cup needle roller bearings
HK2030-ZW	Drawn cup needle roller bearings
HK2012	Drawn cup needle roller bearings for radial bearing arrangement
BK2016	Needle bush
BK2020	Needle bush
NK18/16	Needle roller bearings with out inner ring
NK18/20	Needle roller bearings with out inner ring

