

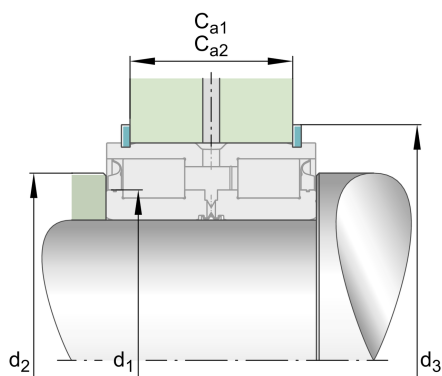
## SL045030-D-PP

Cylindrical roller bearing

Schaeffler ID:  
0893188030000

Cylindrical roller bearing SL04...-D-PP, full complement roller set, two-row, locating bearing, central rib on outer ring, 3 ribs on inner ring, type SL04

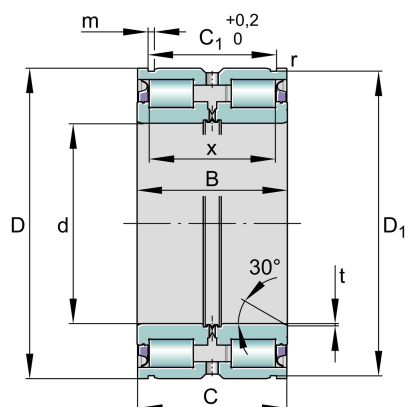
### Technical information



### Main Dimensions & Performance Data

d	150 mm	Bore diameter
D	225 mm	Outside diameter
B	100 mm	Width
$C_r$	710.000 N	Basic dynamic load rating, radial
$C_{0r}$	1.260.000 N	Basic static load rating, radial
$C_{ur}$	166.000 N	Fatigue load limit, radial
$n_{G \text{ Grease}}$	850 1/min	Limiting speed for grease lubrication
	12,78 kg	Weight

### Dimensions



C	99 mm	Width, outer ring
$C_1$	87,2 mm	Distance ring grooves
$D_1$	221 mm	Diameter of groove
m	5,2 mm	Width of groove
$r_{\min}$	0,6 mm	Minimum chamfer dimension
t	2 mm	Chamfer width
X	80 mm	Distance between rolling elements

### Mounting dimensions

$C_{a1}$	81 mm	Mounting dim for snap ring WRE (not included in delivery) Tolerance: 0/-0,2
$C_{a2}$	77 mm	Mounting dim for retaining ring to DIN 471 (not incl. In delivery) Tol: 0/-0,2
$d_1$	176 mm	Rib diameter inner ring
$d_2$	192 mm	Sealing diameter (rib)
$d_3$	245 mm	Outside diameter of snap ring WRE
$d_{1\min}$	176 mm	Minimum diameter shaft shoulder
$r_{a\max}$	0,6 mm	Maximum recess radius
	30 °	Chamfer angle
	-0,2 mm	Lower distance snap ring tolerance
	-0,2 mm	Lower distance retaining ring tolerance
	0 mm	Upper distance snap ring tolerance
	0 mm	Upper distance retaining ring tolerance
	0 mm	Lower distance ring groove tolerance
	0,2 mm	Upper distance ring groove tolerance

### Temperature range

$T_{\min}$	-30 °C	Operating temperature min.
$T_{\max}$	80 °C	Operating temperature max.