

★ NKXR35-Z-XL

Needle roller/axial cylindrical roller bearing

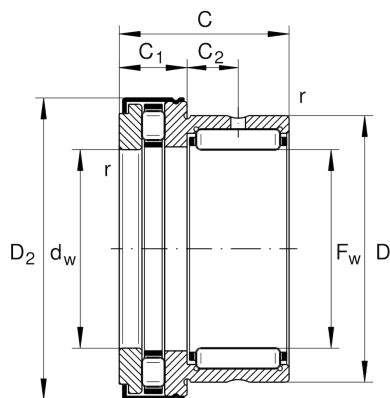
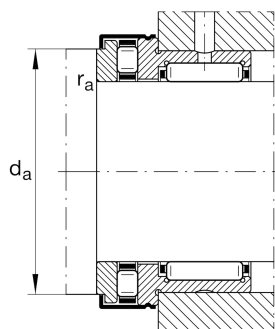
Schaeffler ID:
0507918180000

★ Preferred product

Needle roller/axial cylindrical roller bearings NKXR...-Z, axial component, single direction, to DIN 5429, with end cap, for grease lubrication

X-life

Technical information



Temperature range

T_{\min}	-30 °C	Operating temperature min.
T_{\max}	120 °C	Operating temperature max.
	0,002 kg	Weight

Main Dimensions & Performance Data

F_w	35 mm	Bore diameter
D	47 mm	Outside diameter
C	30 mm	Height
C_r	27.500 N	Basic dynamic load rating, radial
C_{0r}	41.500 N	Basic static load rating, radial
C_a	39.000 N	Basic dynamic load rating, axial
C_{0a}	101.000 N	Basic static load rating, axial
C_{ur}	7.400 N	Fatigue load limit, radial
C_{ua}	9.600 N	Fatigue load limit, axial
n_G	6.500 1/min	Limiting speed
n_{gr}	2.500 1/min	Reference speed

Dimensions

$D_{1\max}$	53,2 mm	Maximum outside diameter flange
$D_{2\max}$	53,2 mm	Maximum outside diameter flange
C_1	12 mm	Width of the axial bearing component
C_2	9 mm	Distance to lubrication hole
d_w	35 mm	Bore diameter of shaft washer
r_{\min}	0,6 mm	Minimum chamfer dimension

Mounting dimensions

d_a	47,7 mm	Mounting dimension shaft shoulder
$r_{a\max}$	0,6 mm	Maximum recess radius

Additional information

IR30X35X20-XL

Suitable inner rings IR