

## ★ NKXR50-Z-XL

Needle roller/axial cylindrical roller bearing

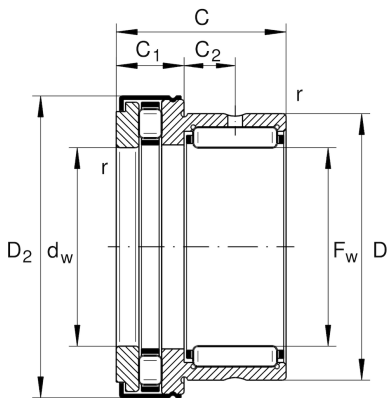
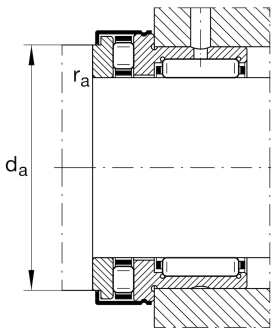
Schaeffler ID:  
0507922450000

★ Preferred product

Needle roller/axial cylindrical roller bearings NKXR...-Z, axial component, single direction, to DIN 5429, with end cap, for grease lubrication

X-life

### Technical information



#### Temperature range

$T_{min}$	-30 °C	Operating temperature min.
$T_{max}$	120 °C	Operating temperature max.
	0,003 kg	Weight

#### Main Dimensions & Performance Data

$F_w$	50 mm	Bore diameter
$D$	62 mm	Outside diameter
$C$	35 mm	Height
$C_r$	43.000 N	Basic dynamic load rating, radial
$C_{0r}$	74.000 N	Basic static load rating, radial
$C_a$	62.000 N	Basic dynamic load rating, axial
$C_{0a}$	177.000 N	Basic static load rating, axial
$C_{ur}$	12.900 N	Fatigue load limit, radial
$C_{ua}$	17.700 N	Fatigue load limit, axial
$n_G$	4.800 1/min	Limiting speed
$n_{gr}$	1.700 1/min	Reference speed

#### Dimensions

$D_{1max}$	71,5 mm	Maximum outside diameter flange
$D_{2max}$	71,5 mm	Maximum outside diameter flange
$C_1$	14 mm	Width of the axial bearing component
$C_2$	10 mm	Distance to lubrication hole
$d_w$	50 mm	Bore diameter of shaft washer
$r_{min}$	0,6 mm	Minimum chamfer dimension

#### Mounting dimensions

$d_a$	65,5 mm	Mounting dimension shaft shoulder
$r_{a max}$	0,6 mm	Maximum recess radius

**Additional information**

---

IR45X50X25-XL

Suitable inner rings IR