

FAG

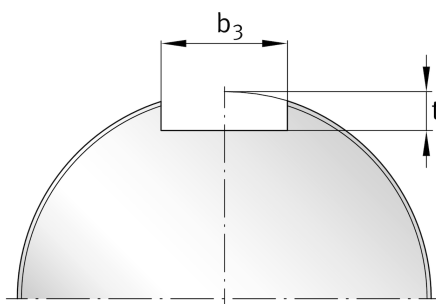
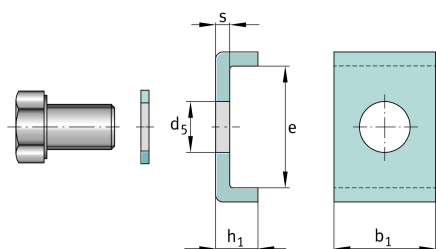
MS3160

Securing plate

Schaeffler ID:
0381229280000

Securing plate MS, locknut, DIN5406

Technical information

**Main Dimensions & Performance Data**

b_1	24 mm	Length retaining ring
e	30,5 mm	Width inner retaining ring
h_1	12 mm	Height retaining ring
	62 g	Weight

Dimensions

s	4 mm	Thickness
	M10x20	Hexagonal bolt
	51 Nm	Mounting torque screw
d_5	12 mm	Diameter fixing hole spacing

Mounting dimensions

b_3	26 mm	Width retaining slot
t	9 mm	Height retaining slot