



★ GE20-XL-KRR-B

Radial insert ball bearing

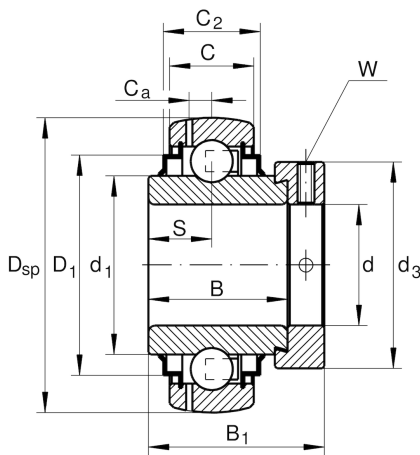
Schaeffler ID:
0008041340000

Radial insert ball bearing GE...-XL-KRR-B

★ Preferred product

X-life

Technical information



Main Dimensions & Performance Data

d	20 mm	Bore diameter
D _{SP}	47 mm	Outside diameter
B	34,1 mm	Width
B ₁	43,7 mm	Locking collar total width
n _{G Grease}	18.700 1/min	Limiting speed for grease lubrication
C _r	12.800 N	Basic dynamic load rating, radial
C _{0r}	6.600 N	Basic static load rating, radial
C _{ur}	345 N	Fatigue load limit, radial
	0,19 kg	Weight

Dimensions

C	14 mm	Width, outer ring
C ₂	16,6 mm	Sealing total width
S	17,1 mm	Distance raceway
d ₁	27,6 mm	Rib diameter inner ring
D ₁	37,4 mm	Outside diameter seal
C _a	4 mm	Distance to lubrication hole
d ₃	33 mm	Outside diameter locking collar/locknut
W	3 mm	Width of flats

Additional information

f ₀	13,1	Calculation factor
----------------	------	--------------------