

★ GE35-XL-KRR-B

Radial insert ball bearing

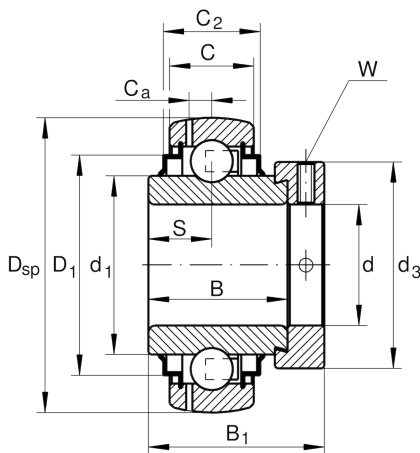
Schaeffler ID:
0008034210000

Radial insert ball bearing GE...-XL-KRR-B

★ Preferred product

X-life

Technical information



Main Dimensions & Performance Data

d	35 mm	Bore diameter
D _{SP}	72 mm	Outside diameter
B	37,7 mm	Width
B ₁	51,3 mm	Locking collar total width
n _{G Grease}	11.700 1/min	Limiting speed for grease lubrication
C _r	25.500 N	Basic dynamic load rating, radial
C _{0r}	15.300 N	Basic static load rating, radial
C _{ur}	800 N	Fatigue load limit, radial
	0,55 kg	Weight

Dimensions

C	19 mm	Width, outer ring
C ₂	22,5 mm	Sealing total width
S	18,8 mm	Distance raceway
d ₁	46,8 mm	Rib diameter inner ring
D ₁	60,3 mm	Outside diameter seal
C _a	5,6 mm	Distance to lubrication hole
d ₃	55 mm	Outside diameter locking collar/locknut
W	5 mm	Width of flats

Additional information

f ₀	13,8	Calculation factor
----------------	------	--------------------