



## ★ GE45-XL-KRR-B

Radial insert ball bearing

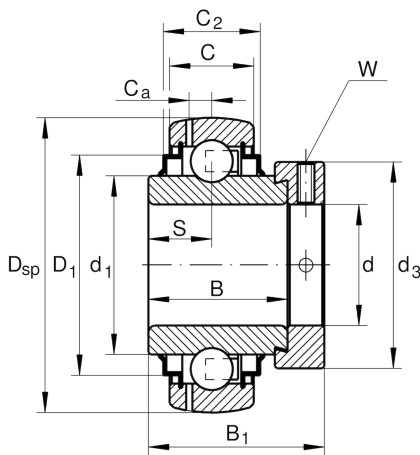
Schaeffler ID:  
0008036500000

Radial insert ball bearing GE...-XL-KRR-B

★ Preferred product

X-life

### Technical information



### Main Dimensions & Performance Data

d	45 mm	Bore diameter
D <sub>SP</sub>	85 mm	Outside diameter
B	42,9 mm	Width
B <sub>1</sub>	56,5 mm	Locking collar total width
n <sub>G Grease</sub>	9.600 1/min	Limiting speed for grease lubrication
C <sub>r</sub>	32.500 N	Basic dynamic load rating, radial
C <sub>0r</sub>	20.400 N	Basic static load rating, radial
C <sub>ur</sub>	970 N	Fatigue load limit, radial
	0,83 kg	Weight

### Dimensions

C	22 mm	Width, outer ring
C <sub>2</sub>	26,4 mm	Sealing total width
S	21,4 mm	Distance raceway
d <sub>1</sub>	57,9 mm	Rib diameter inner ring
D <sub>1</sub>	72,3 mm	Outside diameter seal
C <sub>a</sub>	6,4 mm	Distance to lubrication hole
d <sub>3</sub>	63 mm	Outside diameter locking collar/locknut
W	5 mm	Width of flats

### Additional information

f <sub>0</sub>	14,1	Calculation factor
----------------	------	--------------------