



★ GE50-XL-KRR-B

Radial insert ball bearing

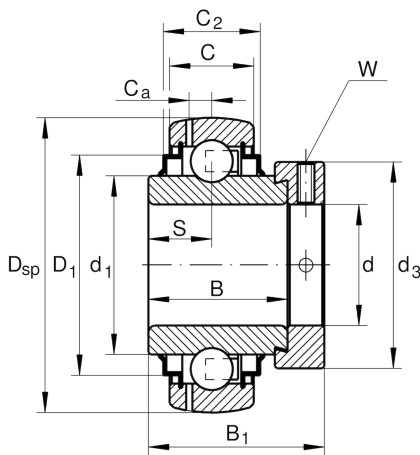
Schaeffler ID:
0008040530000

Radial insert ball bearing GE...-XL-KRR-B

★ Preferred product

X-life

Technical information



Main Dimensions & Performance Data

d	50 mm	Bore diameter
D _{SP}	90 mm	Outside diameter
B	49,2 mm	Width
B ₁	62,8 mm	Locking collar total width
n _{G Grease}	9.000 1/min	Limiting speed for grease lubrication
C _r	37.500 N	Basic dynamic load rating, radial
C _{0r}	23.200 N	Basic static load rating, radial
C _{ur}	1.210 N	Fatigue load limit, radial
	0,99 kg	Weight

Dimensions

C	22 mm	Width, outer ring
C ₂	26,4 mm	Sealing total width
S	24,6 mm	Distance raceway
d ₁	62,8 mm	Rib diameter inner ring
D ₁	77,3 mm	Outside diameter seal
C _a	6,9 mm	Distance to lubrication hole
d ₃	69 mm	Outside diameter locking collar/locknut
W	5 mm	Width of flats

Additional information

f ₀	14,4	Calculation factor
----------------	------	--------------------