



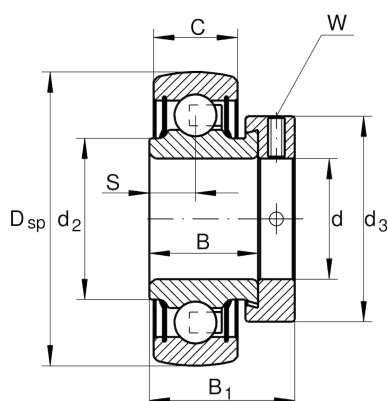
RA108-NPP-B

Radial insert ball bearing

Schaeffler ID:
0502936560000

Radial insert ball bearings RA..-NPP-B, spherical outer ring, location by eccentric locking collar, P seals on both sides, inch size bore

Technical information



Main Dimensions & Performance Data

d	38,1 mm	Bore diameter
d	1.5 inch	Bore diameter, inch
D _{SP}	80 mm	Outside diameter
B ₁	43,8 mm	Locking collar total width
B	30,2 mm	Width
C _{ur}	910 N	Fatigue load limit, radial
C _r	32.500 N	Basic dynamic load rating, radial
C _{0r}	19.800 N	Basic static load rating, radial
	0,642 kg	Weight

Dimensions

C	21 mm	Width, outer ring
S	11 mm	Distance raceway
d ₂	49,4 mm	Rib diameter sealing inner ring
d ₃	58 mm	Outside diameter locking collar/locknut
W	0.1875 inch	Width across flats (Inch)

Calculation factors

f ₀	13,6	Calculation factor
----------------	------	--------------------