

## RAE50-XL-NPP-B

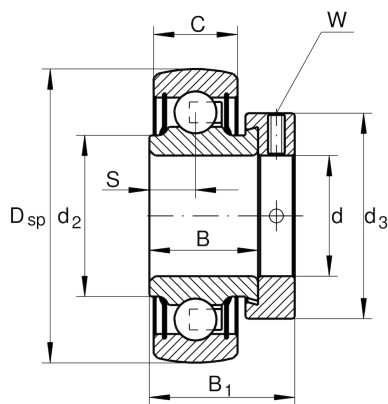
Radial insert ball bearing

Schaeffler ID:  
0008500630000

Radial insert ball bearing RAE...-XL-NPP-B

X-life

### Technical information



### Main Dimensions & Performance Data

d	50 mm	Bore diameter
D <sub>SP</sub>	90 mm	Outside diameter
B	30,2 mm	Width
B <sub>1</sub>	43,8 mm	Locking collar total width
n <sub>G Grease</sub>	9.000 1/min	Limiting speed for grease lubrication
C <sub>r</sub>	37.500 N	Basic dynamic load rating, radial
C <sub>0r</sub>	23.200 N	Basic static load rating, radial
C <sub>ur</sub>	1.210 N	Fatigue load limit, radial
	0,77 kg	Weight

### Dimensions

C	22 mm	Width, outer ring
S	11 mm	Distance raceway
d <sub>2</sub>	59,4 mm	Rib diameter sealing inner ring
d <sub>3</sub>	69 mm	Outside diameter locking collar/locknut
W	5 mm	Width of flats

### Calculation factors

f <sub>0</sub>	14,4	Calculation factor
----------------	------	--------------------