



## ★ RALE20-XL-NPP-B

Radial insert ball bearing

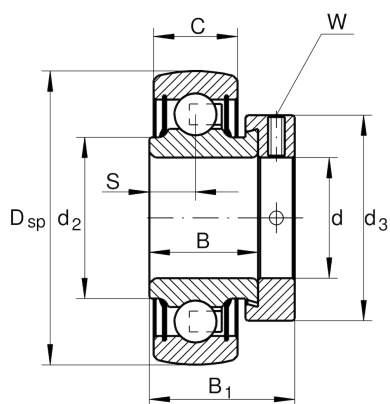
Schaeffler ID:  
0008170900000

★ Preferred product

Radial insert ball bearings RALE..-NPP-B, spherical outer ring, location by eccentric locking collar, P seals on both sides

X-life

### Technical information



#### Main Dimensions & Performance Data

d	20 mm	Bore diameter
D <sub>SP</sub>	42 mm	Outside diameter
B	16,7 mm	Width
B <sub>1</sub>	24,5 mm	Locking collar total width
n <sub>G Grease</sub>	21.100 1/min	Limiting speed for grease lubrication
C <sub>r</sub>	9.400 N	Basic dynamic load rating, radial
C <sub>0r</sub>	5.000 N	Basic static load rating, radial
C <sub>ur</sub>	231 N	Fatigue load limit, radial
	0,1 kg	Weight

#### Dimensions

C	12 mm	Width, outer ring
S	6 mm	Distance raceway
d <sub>2</sub>	25,4 mm	Rib diameter sealing inner ring
d <sub>3</sub>	30 mm	Outside diameter locking collar/locknut
W	2.5 mm	Width of flats

#### Additional information

f <sub>0</sub>	13,8	Calculation factor
----------------	------	--------------------