



FAG

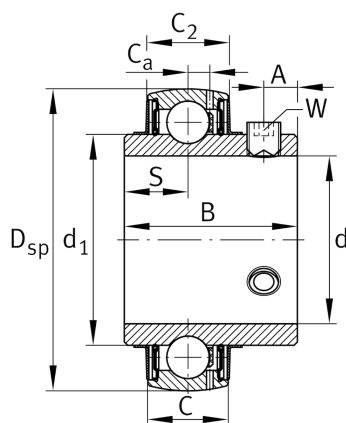
UC205

Radial insert ball bearing

Schaeffler ID:
0693201600000

Radial insert ball bearings UC, spherical outer ring, location by grub screws, RSR seals on both sides

Technical information

**Main Dimensions & Performance Data**

d	25 mm	Bore diameter
D _{SP}	52 mm	Outside diameter
B	34,1 mm	Width
n _{G Grease}	16.700 1/min	Limiting speed for grease lubrication
C _r	14.000 N	Basic dynamic load rating, radial
C _{0r}	7.800 N	Basic static load rating, radial
C _{ur}	335 N	Fatigue load limit, radial
	0,002 kg	Weight

Dimensions

C	17 mm	Width, outer ring
C ₂	17,6 mm	Sealing total width
S	14,3 mm	Distance raceway
d ₁	33,83 mm	Rib diameter inner ring
C _a	4,2 mm	Distance to lubrication hole
A	5 mm	Distance thread
W	3 mm	Width of flats

Calculation factors

f ₀	13,8	Calculation factor
----------------	------	--------------------