



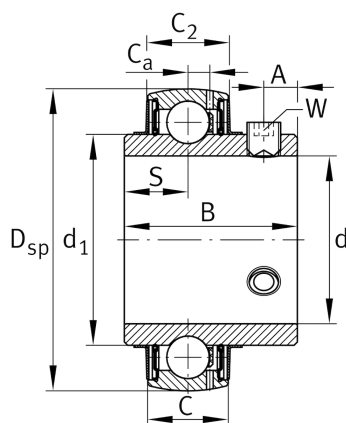
FAG

UC211

Radial insert ball bearing

Schaeffler ID:
0693768160000Radial insert ball bearings UC, spherical
outer ring, location by grub screws, RSR
seals on both sides

Technical information

**Main Dimensions & Performance Data**

d	55 mm	Bore diameter
D _{SP}	100 mm	Outside diameter
B	55,6 mm	Width
n _{G Grease}	8.000 1/min	Limiting speed for grease lubrication
C _r	43.500 N	Basic dynamic load rating, radial
C _{0r}	29.000 N	Basic static load rating, radial
C _{ur}	1.240 N	Fatigue load limit, radial
	1,1 kg	Weight

Dimensions

C	25 mm	Width, outer ring
C ₂	25,6 mm	Sealing total width
S	22,2 mm	Distance raceway
d ₁	69,77 mm	Rib diameter inner ring
C _a	7 mm	Distance to lubrication hole
A	10 mm	Distance thread
W	5 mm	Width of flats

Calculation factors

f ₀	14,2	Calculation factor
----------------	------	--------------------