



GE17-XL-KRR-B

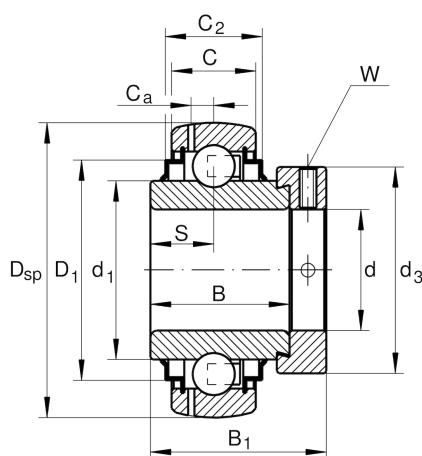
Radial insert ball bearing

Schaeffler ID:
0008034130000

Radial insert ball bearing GE..-XL-KRR-B

X-life

Technical information



Main Dimensions & Performance Data

d	17 mm	Bore diameter
D _{SP}	40 mm	Outside diameter
B	27,8 mm	Width
B ₁	37,4 mm	Locking collar total width
n _{G Grease}	22.300 1/min	Limiting speed for grease lubrication
C _r	9.800 N	Basic dynamic load rating, radial
C _{0r}	4.750 N	Basic static load rating, radial
C _{ur}	248 N	Fatigue load limit, radial
	0,12 kg	Weight

Dimensions

C	12 mm	Width, outer ring
C ₂	16,6 mm	Sealing total width
S	13,9 mm	Distance raceway
d ₁	23,9 mm	Rib diameter inner ring
D ₁	31,6 mm	Outside diameter seal
C _a	3,4 mm	Distance to lubrication hole
d ₃	28,4 mm	Outside diameter locking collar/locknut
W	3 mm	Width of flats

Calculation factors

f ₀	13	Calculation factor
----------------	----	--------------------