



## ★ GLCTE12-XL

Flanged housing unit

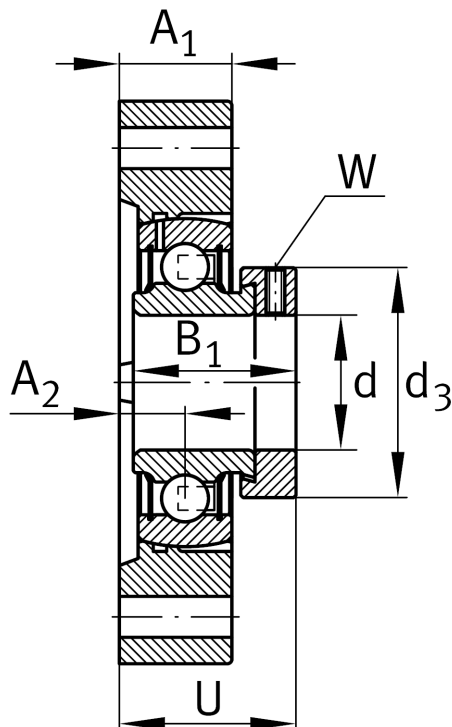
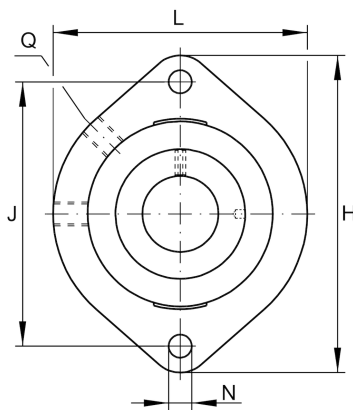
Schaeffler ID:  
0008313010000

Housing units GLCTE, two-bolt flanged housing units, cast iron, eccentric locking collar, P seals

★ Preferred product

X-life

### Technical information



### Main Dimensions & Performance Data

d	12 mm	Bore diameter
L	58,7 mm	Flange width
H	81 mm	Height flange
U	30,5 mm	Total height unit
C <sub>r</sub>	9.800 N	Basic dynamic load rating, radial
C <sub>0r</sub>	4.750 N	Basic static load rating, radial
C <sub>ur</sub>	248 N	Fatigue load limit, radial
	0,31 kg	Weight

### Dimensions

A <sub>1</sub>	15 mm	Thickness of flange
A <sub>2</sub>	8,4 mm	Distance raceway
B <sub>1</sub>	28,6 mm	Locking collar total width
Q	M6	Connection thread lubrication
d <sub>3</sub>	28,4 mm	Outside diameter eccentric locking collar

### Mounting dimensions

J	63,5 mm	Distance fixing bore
N	6.6 mm	Fixing bore
n	2	Number of screwing holes

### Additional information

	1	Number of housings
	GLCTE03	Housing
	GRAE12-XL-NPP-B	Bearing designation