



★ GLCTE15-XL

Flanged housing unit

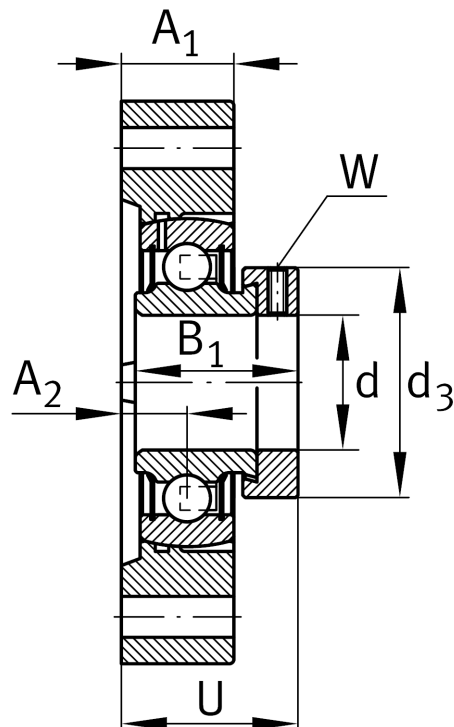
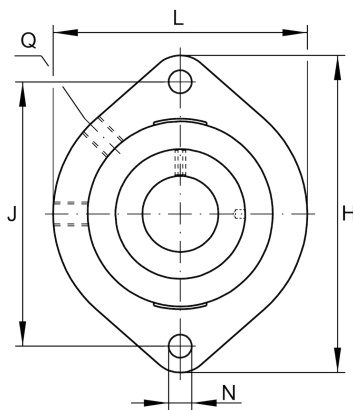
Schaeffler ID:
0008313280000

Housing units GLCTE, two-bolt flanged housing units, cast iron, eccentric locking collar, P seals

★ Preferred product

X-life

Technical information



Main Dimensions & Performance Data

d	15 mm	Bore diameter
L	58,7 mm	Flange width
H	81 mm	Height flange
U	30,5 mm	Total height unit
C _r	10.100 N	Basic dynamic load rating, radial
C _{0r}	4.750 N	Basic static load rating, radial
C _{ur}	248 N	Fatigue load limit, radial
	0,288 kg	Weight

Dimensions

A ₁	15 mm	Thickness of flange
A ₂	8,4 mm	Distance raceway
B ₁	28,6 mm	Locking collar total width
Q	M6	Connection thread lubrication
d ₃	28,4 mm	Outside diameter eccentric locking collar

Mounting dimensions

J	63,5 mm	Distance fixing bore
N	6.6 mm	Fixing bore
n	2	Number of screwing holes

Additional information

	1	Number of housings
	GLCTE03	Housing
	GRAE15-XL-NPP-B	Bearing designation