



★ GLCTE17-XL

Flanged housing unit

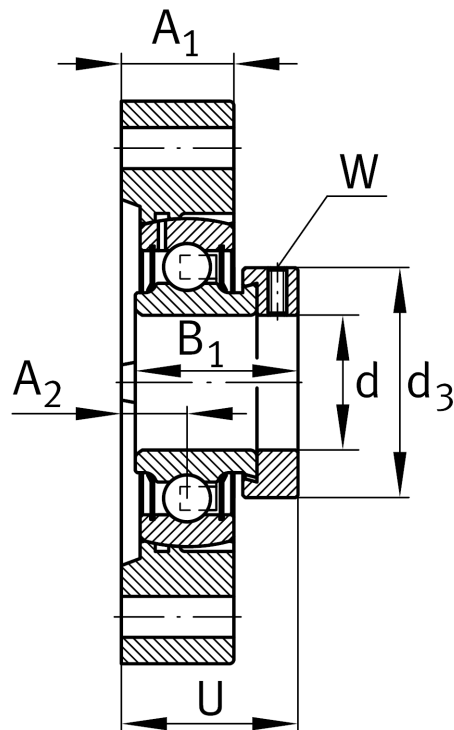
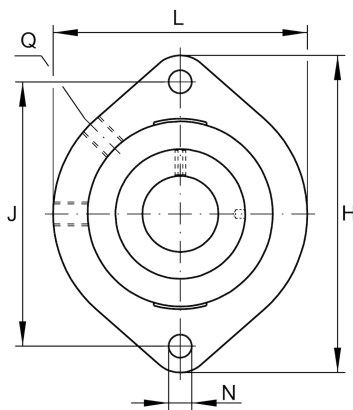
Schaeffler ID:
0008313360000

Housing units GLCTE, two-bolt flanged housing units, cast iron, eccentric locking collar, P seals

★ Preferred product

X-life

Technical information



Main Dimensions & Performance Data

| | | |
|-----------------|---------|-----------------------------------|
| d | 17 mm | Bore diameter |
| L | 58,7 mm | Flange width |
| H | 81 mm | Height flange |
| U | 30,5 mm | Total height unit |
| C _r | 9.800 N | Basic dynamic load rating, radial |
| C _{0r} | 4.750 N | Basic static load rating, radial |
| C _{ur} | 248 N | Fatigue load limit, radial |
| | 0,3 kg | Weight |

Dimensions

| | | |
|----------------|---------|---|
| A ₁ | 15 mm | Thickness of flange |
| A ₂ | 8,4 mm | Distance raceway |
| B ₁ | 28,6 mm | Locking collar total width |
| Q | M6 | Connection thread lubrication |
| d ₃ | 28,4 mm | Outside diameter eccentric locking collar |

Mounting dimensions

| | | |
|---|---------|--------------------------|
| J | 63,5 mm | Distance fixing bore |
| N | 6.6 mm | Fixing bore |
| n | 2 | Number of screwing holes |

Additional information

| | |
|-----------------|---------------------|
| 1 | Number of housings |
| GLCTE03 | Housing |
| GRAE17-XL-NPP-B | Bearing designation |