



★ GLCTE25-XL

Flanged housing unit

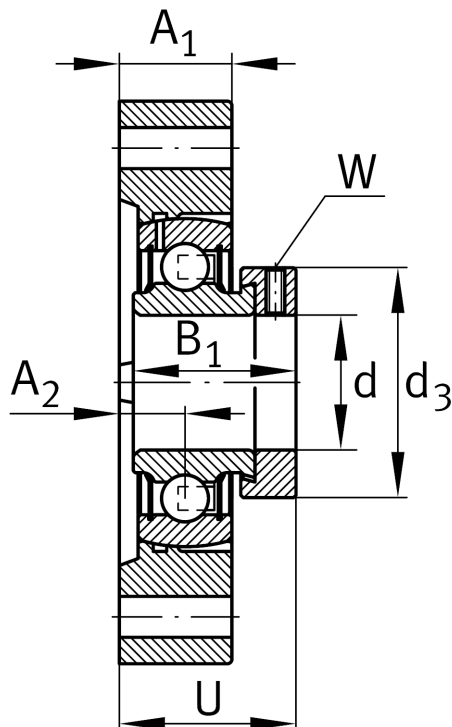
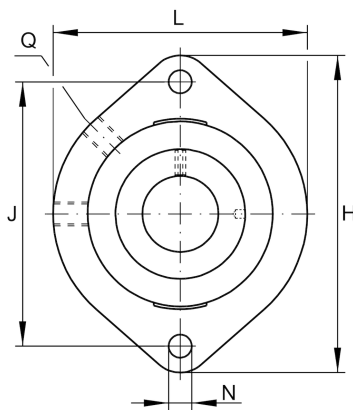
Schaeffler ID:
0008313520000

Housing units GLCTE, two-bolt flanged housing units, cast iron, eccentric locking collar, P seals

★ Preferred product

X-life

Technical information



Main Dimensions & Performance Data

d	25 mm	Bore diameter
L	71 mm	Flange width
H	97 mm	Height flange
U	33,4 mm	Total height unit
C _r	14.000 N	Basic dynamic load rating, radial
C _{0r}	7.800 N	Basic static load rating, radial
C _{ur}	410 N	Fatigue load limit, radial
	0,47 kg	Weight

Dimensions

A ₁	19,5 mm	Thickness of flange
A ₂	9,9 mm	Distance raceway
B ₁	31 mm	Locking collar total width
Q	M6	Connection thread lubrication
d ₃	37,5 mm	Outside diameter eccentric locking collar

Mounting dimensions

J	76,2 mm	Distance fixing bore
N	9 mm	Fixing bore
n	2	Number of screwing holes

Additional information

1	Number of housings
GLCTE05	Housing
GRAE25-NPP-B-OSE	Bearing designation