



## ★ GLCTE30-XL

Flanged housing unit

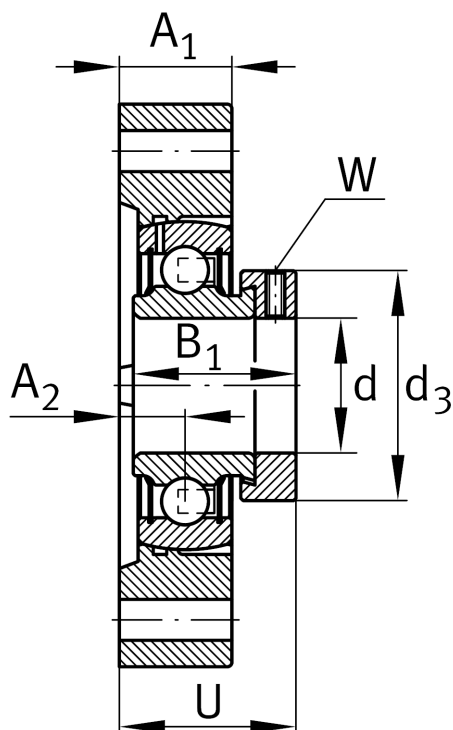
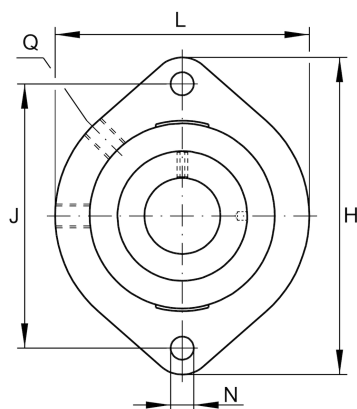
Schaeffler ID:  
0008313600000

Housing units GLCTE, two-bolt flanged housing units, cast iron, eccentric locking collar, P seals

★ Preferred product

X-life

### Technical information



### Main Dimensions & Performance Data

d	30 mm	Bore diameter
L	84 mm	Flange width
H	112,5 mm	Height flange
U	38,1 mm	Total height unit
C <sub>r</sub>	19.500 N	Basic dynamic load rating, radial
C <sub>0r</sub>	11.300 N	Basic static load rating, radial
C <sub>ur</sub>	480 N	Fatigue load limit, radial
	0,75 kg	Weight

### Dimensions

A <sub>1</sub>	22,5 mm	Thickness of flange
A <sub>2</sub>	11,4 mm	Distance raceway
B <sub>1</sub>	35,8 mm	Locking collar total width
Q	M6	Connection thread lubrication
d <sub>3</sub>	44 mm	Outside diameter eccentric locking collar

### Mounting dimensions

J	90,5 mm	Distance fixing bore
N	11,5 mm	Fixing bore
n	2	Number of screwing holes

### Additional information

1	Number of housings
GLCTE06	Housing
GRAE30-XL-NPP-B	Bearing designation