

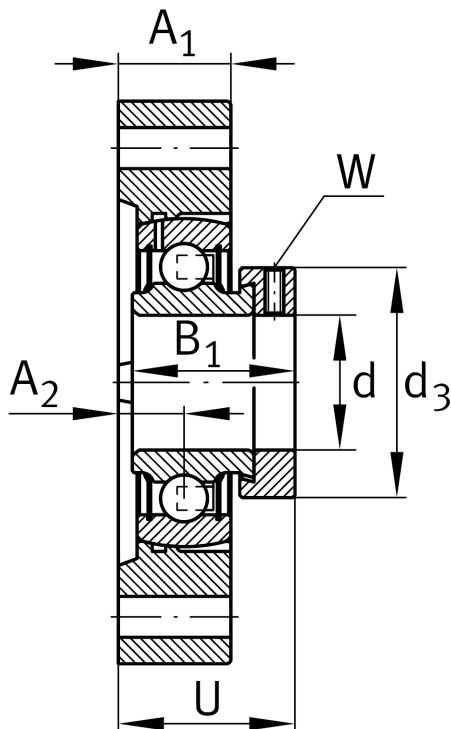
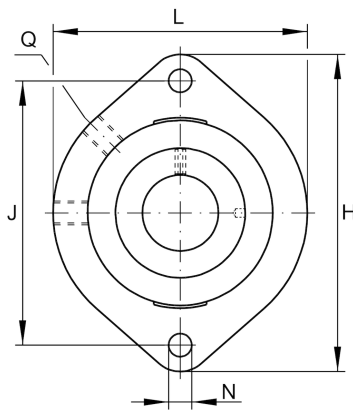
**GLCTE30-TV-FA125.5**

Flanged housing unit

Schaeffler ID:
0574653980000

Flanged housing unit GLCTE...-TV

Technical information

**Main Dimensions & Performance Data**

d	30 mm	Bore diameter
L	84 mm	Flange width
H	112,5 mm	Height flange
U	38,3 mm	Total height unit
C_r	17.100 N	Basic dynamic load rating, radial
C_{0r}	9.200 N	Basic static load rating, radial
C_{0rG}	12.000 N	Load carrying capacity (housing)
C_g	12.000 N	Load carrying capacity (housing)
	0,47 kg	Weight

Dimensions

A_1	20,5 mm	Thickness of flange
A_2	11,5 mm	Distance raceway
B_1	35,8 mm	Locking collar total width
Q	1/4-28 UNF	Connection thread lubrication
d_3	44 mm	Outside diameter eccentric locking collar

Mounting dimensions

J	90,5 mm	Distance fixing bore
N	11.5 mm	Fixing bore
n	2	Number of screwing holes

Additional information

1	Number of housings
GEH.GLCTE06-TV	Housing
GRAE30-NPP-B-	Bearing designation
FA107/125.5	
KASK06-S-G	Protecting cap