



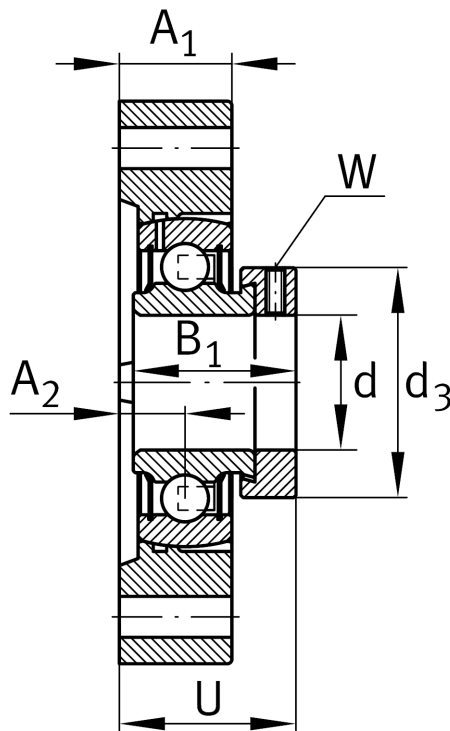
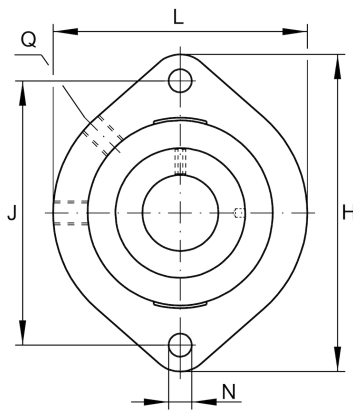
GLCTE35-TV-FA125.5

Flanged housing unit

Schaeffler ID:
0574655090000

Flanged housing unit GLCTE..-TV

Technical information



Main Dimensions & Performance Data

d	35 mm	Bore diameter
L	94 mm	Flange width
H	126 mm	Height flange
U	42 mm	Total height unit
C_r	22.500 N	Basic dynamic load rating, radial
C_{0r}	12.500 N	Basic static load rating, radial
C_{0rG}	12.600 N	Load carrying capacity (housing)
C_g	12.600 N	Load carrying capacity (housing)
	0,66 kg	Weight

Dimensions

	1	Number of housings
A_1	22,5 mm	Thickness of flange
A_2	12,5 mm	Distance raceway
	GEH.GLCTE07-TV	Housing
	GRAE35-NPP-B- FA107/125.5	Bearing designation
B_1	39 mm	Locking collar total width
	KASK07-S-G	Protecting cap
Q	1/4-28 UNF	Connection thread lubrication
d_3	55 mm	Outside diameter eccentric locking collar

Mounting dimensions

J	100 mm	Distance fixing bore
N	11.5 mm	Fixing bore
n	2	Number of screwing holes