



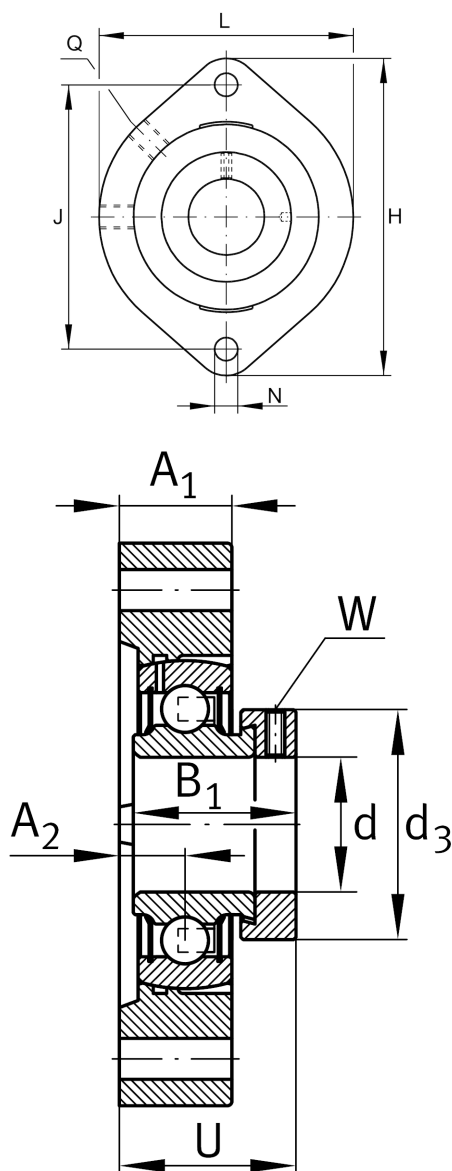
GLCTE40-TV-FA125.5

Flanged housing unit

Schaeffler ID:
0574655250000

Flanged housing unit GLCTE...-TV

Technical information



Main Dimensions & Performance Data

d	40 mm	Bore diameter
L	100 mm	Flange width
H	150 mm	Height flange
U	46,3 mm	Total height unit
C_r	34.500 N	Basic dynamic load rating, radial
C_{0r}	19.800 N	Basic static load rating, radial
C_{0rG}	12.800 N	Load carrying capacity (housing)
C_g	12.800 N	Load carrying capacity (housing)
	0,86 kg	Weight

Dimensions

	1	Number of housings
A_1	24 mm	Thickness of flange
A_2	13,5 mm	Distance raceway
	GEH.GLCTE08-TV	Housing
	GRAE40-NPP-B-FA107/125.5	Bearing designation
B_1	43,8 mm	Locking collar total width
	KASK08-S-G	Protecting cap
Q	1/4-28 UNF	Connection thread lubrication
d_3	58 mm	Outside diameter eccentric locking collar

Mounting dimensions

J	119 mm	Distance fixing bore
N	14 mm	Fixing bore
n	2	Number of screwing holes