



GRA50-XL

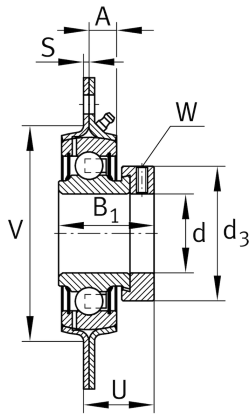
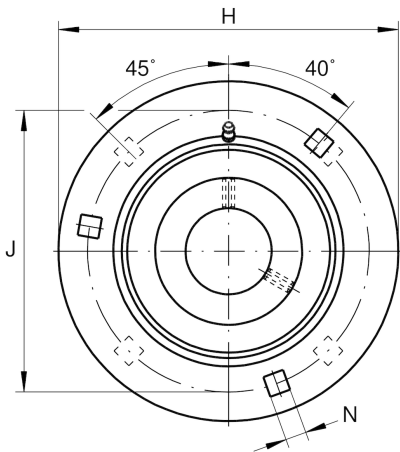
Flanged housing unit

Schaeffler ID:
0008294390000

Housing units GRA, three/four-bolt flanged housing units, sheet steel, eccentric locking collar, P seals

X-life

Technical information



Main Dimensions & Performance Data

d	50 mm	Bore diameter
H	155,5 mm	Height flange
H	155,5 mm	Flange width
U	36,7 mm	Total height unit
B ₁	43,8 mm	Locking collar total width
C _{ur}	1.210 N	Fatigue load limit, radial
C _r	37.500 N	Basic dynamic load rating, radial
C _{0r}	23.200 N	Basic static load rating, radial
C _{0rG}	8.600 N	Load carrying capacity (housing)
	1,68 kg	Weight

Dimensions

A	11,1 mm	Height housing
	1	Number of housings
	1	Number of housings 2
	FLAN90-MSB	Housing
	FLAN90-MSA	Housing (Part 2)
	EXZ	Fixing
	GRAE50-XL-NPP-B	Bearing designation
S	4 mm	Thickness of flange
V	100 mm	Shoulder diameter housing
d ₃	37,5 mm	Outside diameter eccentric locking collar
d ₃	69 mm	Outside diameter locking collar/locknut

Mounting dimensions

J	127 mm	Pitch circle diameter (holes)
N	13,5 mm	Fixing square
n	4	Number of screwing holes
n	4	Number of screws