



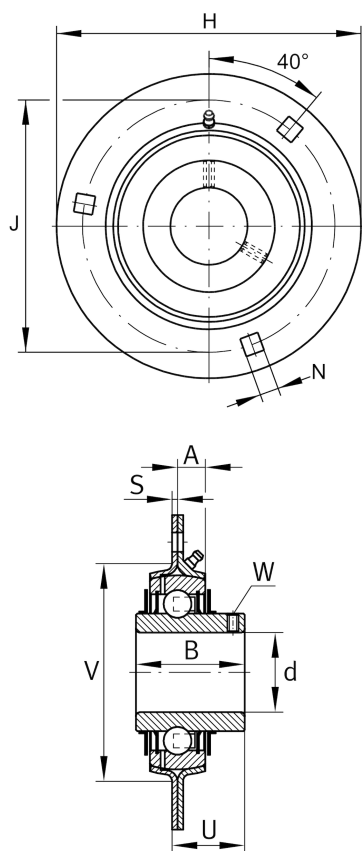
GRRY20-VA

Flanged housing unit

Schaeffler ID:
0004605750000

Flanged housing unit GRRY..-VA

Technical information



Main Dimensions & Performance Data

d	20 mm	Bore diameter
H ₂	90,5 mm	Height flange
H	90,5 mm	Height flange
U	20,3 mm	Total height unit
C _r	12.300 N	Basic dynamic load rating, radial
C _{0r}	6.300 N	Basic static load rating, radial
C _{ur}	310 N	Fatigue load limit, radial
C _{0rG}	3.200 N	Load carrying capacity (housing)
	0,32 kg	Weight

Dimensions

A	8 mm	Height housing
	1	Number of housings
	1	Number of housings 2
	FLAN47-MSB-VA	Housing
	GYE20-KRR-B-VA	Bearing designation
B	31 mm	Width
S	2 mm	Thickness of flange
V	55 mm	Shoulder diameter housing
d ₃	44 mm	Outside diameter eccentric locking collar
	55 mm	Shoulder diameter housing

Mounting dimensions

J	71,5 mm	Pitch circle diameter (holes)
N	8,7 mm	Fixing square
n	3	Number of screwing holes