



IMAGE  
COMING SOON



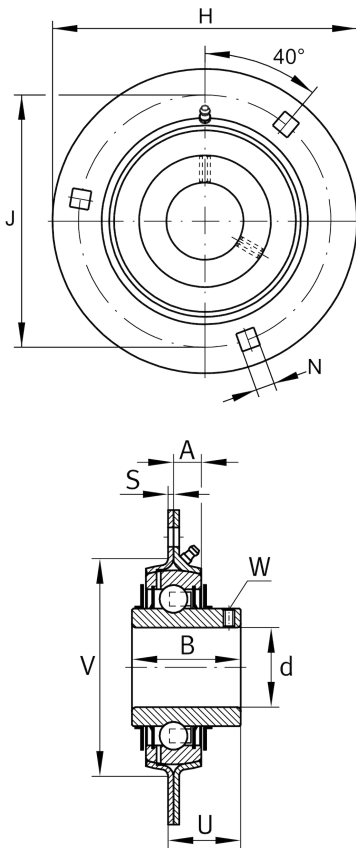
## GRRY30-VA

Flanged housing unit

Schaeffler ID:  
0004605160000

Flanged housing unit GRRY..-VA

### Technical information



### Main Dimensions & Performance Data

d	30 mm	Bore diameter
H <sub>2</sub>	112,7 mm	Height flange
H	112,7 mm	Height flange
U	24,7 mm	Total height unit
C <sub>r</sub>	18.700 N	Basic dynamic load rating, radial
C <sub>0r</sub>	10.700 N	Basic static load rating, radial
C <sub>ur</sub>	530 N	Fatigue load limit, radial
C <sub>0rG</sub>	5.000 N	Load carrying capacity (housing)
	0,6 kg	Weight

### Dimensions

A	9 mm	Height housing
	1	Number of housings
	1	Number of housings 2
	FLAN62-MSB-VA	Housing
	GYE30-KRR-B-VA	Bearing designation
B	38,1 mm	Width
S	2,5 mm	Thickness of flange
V	71 mm	Shoulder diameter housing
d <sub>3</sub>	44 mm	Outside diameter eccentric locking collar

### Mounting dimensions

J	90,5 mm	Pitch circle diameter (holes)
N	10,5 mm	Fixing square
n	3	Number of screwing holes