



★ PCF20-XL

Flanged housing unit

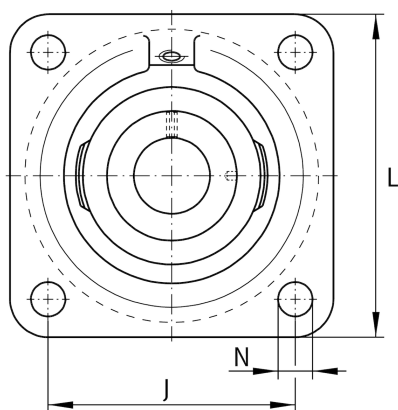
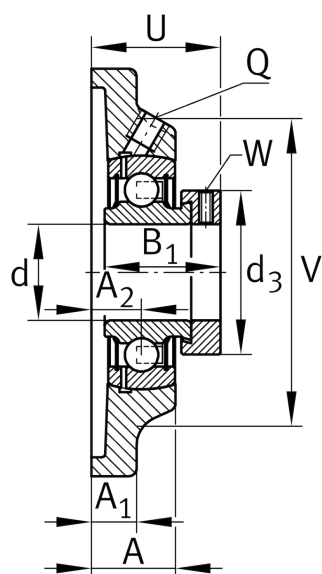
Schaeffler ID:
0008318830000

Housing units PCF, four-bolt flanged housing units, cast iron, eccentric locking collar, P seals

★ Preferred product

X-life

Technical information



Main Dimensions & Performance Data

d	20 mm	Bore diameter
L	86 mm	Flange width
U	34 mm	Total height unit
C_r	13.600 N	Basic dynamic load rating, radial
C_{0r}	6.600 N	Basic static load rating, radial
C_{ur}	345 N	Fatigue load limit, radial
	0,55 kg	Weight

Dimensions

A	20 mm	Height housing
A_1	10 mm	Thickness of flange
A_2	10,5 mm	Distance raceway
V	68 mm	Shoulder diameter housing
Q	M6	Connection thread lubrication
d_3	33 mm	Outside diameter eccentric locking collar

Mounting dimensions

J	63,5 mm	Distance fixing bore
N	11.5 mm	Fixing bore
n	4	Number of screwing holes

Additional information

	1	Number of housings
	CF04	Housing
	GRAE20-XL-NPP-B	Bearing designation