



## ★ PCF40-XL

Flanged housing unit

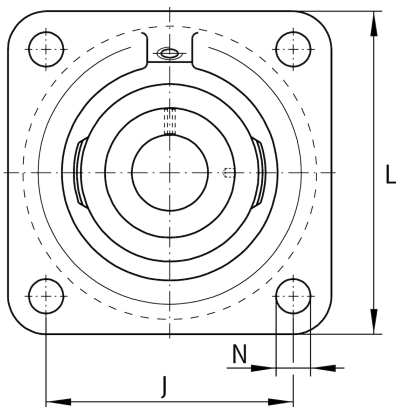
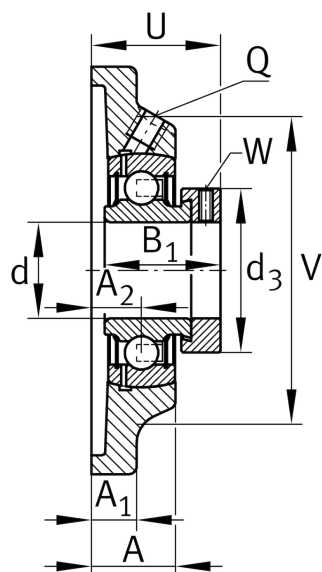
Schaeffler ID:  
0008319210000

★ Preferred product

Housing units PCF, four-bolt flanged housing units, cast iron, eccentric locking collar, P seals

X-life

### Technical information



### Main Dimensions & Performance Data

d	40 mm	Bore diameter
L	130 mm	Flange width
U	51 mm	Total height unit
$C_r$	32.500 N	Basic dynamic load rating, radial
$C_{0r}$	19.800 N	Basic static load rating, radial
$C_{ur}$	1.030 N	Fatigue load limit, radial
	1,77 kg	Weight

### Dimensions

A	28,8 mm	Height housing
$A_1$	13 mm	Thickness of flange
$A_2$	18,3 mm	Distance raceway
V	110 mm	Shoulder diameter housing
Q	M6	Connection thread lubrication
$d_3$	58 mm	Outside diameter eccentric locking collar

### Mounting dimensions

J	101,5 mm	Distance fixing bore
N	14 mm	Fixing bore
n	4	Number of screwing holes

### Additional information

	1	Number of housings
	CF08	Housing
	GRAE40-XL-NPP-B	Bearing designation