



★ PCF50-XL

Flanged housing unit

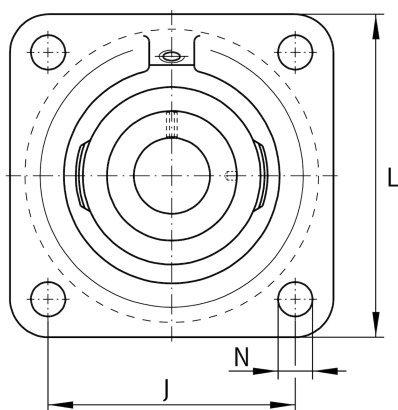
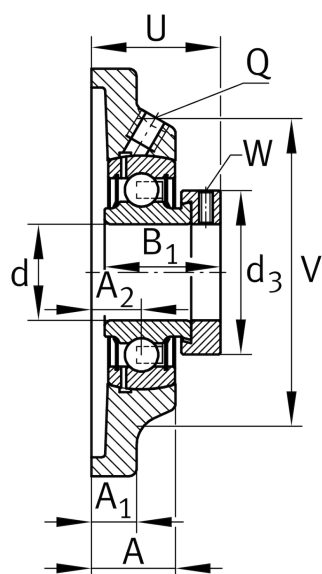
Schaeffler ID:
0008319560000

★ Preferred product

Housing units PCF, four-bolt flanged housing units, cast iron, eccentric locking collar, P seals

X-life

Technical information



Main Dimensions & Performance Data

d	50 mm	Bore diameter
L	143 mm	Flange width
U	51,4 mm	Total height unit
C_r	37.500 N	Basic dynamic load rating, radial
C_{0r}	23.200 N	Basic static load rating, radial
C_{ur}	1.210 N	Fatigue load limit, radial
	2,18 kg	Weight

Dimensions

A	30,2 mm	Height housing
A_1	13 mm	Thickness of flange
A_2	19,2 mm	Distance raceway
V	125 mm	Shoulder diameter housing
Q	Rp1/8	Connection thread lubrication
d_3	69 mm	Outside diameter eccentric locking collar

Mounting dimensions

J	111 mm	Distance fixing bore
N	14 mm	Fixing bore
n	4	Number of screwing holes

Additional information

	1	Number of housings
	CF10	Housing
	GRAE50-XL-NPP-B	Bearing designation