



★ PCJ30-XL-N

Flanged housing unit

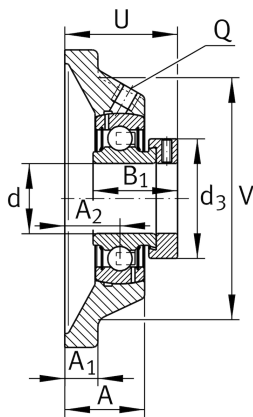
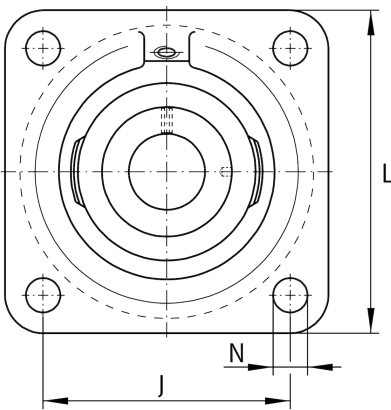
Schaeffler ID:
0096409240000

★ Preferred product

Housing units PCJ, four-bolt flanged housing units, cast iron, eccentric locking collar, P seals

X-life

Technical information



Main Dimensions & Performance Data

d	30 mm	Bore diameter
L	108 mm	Flange width
U	46,8 mm	Total height unit
C_r	19.500 N	Basic dynamic load rating, radial
C_{0r}	11.300 N	Basic static load rating, radial
C_{ur}	480 N	Fatigue load limit, radial
	1,11 kg	Weight

Dimensions

A	29 mm	Height housing
A_1	12 mm	Thickness of flange
A_2	20 mm	Distance raceway
V	85 mm	Shoulder diameter housing
Q	M6	Connection thread lubrication
d_3	44 mm	Outside diameter eccentric locking collar

Mounting dimensions

J	82,5 mm	Distance fixing bore
N	11.5 mm	Fixing bore
n	4	Number of screwing holes

Additional information

1	Number of housings
CJ06	Housing
GRAE30-XL-NPP-B	Bearing designation
KASK06	Protecting cap