



★ PCJ40-XL-N

Flanged housing unit

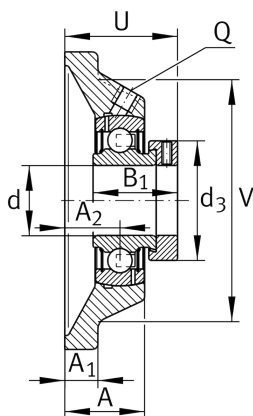
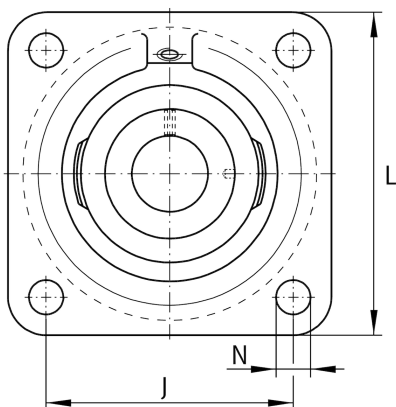
Schaeffler ID:
0096410090000

Housing units PCJ, four-bolt flanged housing units, cast iron, eccentric locking collar, P seals

★ Preferred product

X-life

Technical information



Main Dimensions & Performance Data

d	40 mm	Bore diameter
L	130 mm	Flange width
U	56,8 mm	Total height unit
C_r	34.500 N	Basic dynamic load rating, radial
C_{0r}	19.800 N	Basic static load rating, radial
C_{ur}	1.030 N	Fatigue load limit, radial
	1,89 kg	Weight

Dimensions

A	36,5 mm	Height housing
A_1	13 mm	Thickness of flange
A_2	24 mm	Distance raceway
V	110 mm	Shoulder diameter housing
Q	M6	Connection thread lubrication
d_3	58 mm	Outside diameter eccentric locking collar

Mounting dimensions

J	101,5 mm	Distance fixing bore
N	14 mm	Fixing bore
n	4	Number of screwing holes

Additional information

1	Number of housings
CJ08	Housing
GRAE40-XL-NPP-B	Bearing designation
KASK08	Protecting cap